

## Micro Tube 96 \* (16x6)-2.2 TY Y 27.3-00214534-116:2019

Fiber optic distribution cables of micro-tube construction with HDPE sheath

### Mark formation:

Micro Tube 96[c](16x6)-2.2

[c] type of optical fiber

- A – single-mode with extended wavelength band (ITU-T G.652D, ITU-T G.657A1)
- D - single-mode, not sensitive to losses on macro-bending (ITU-T G.657A2)

Order placing: sample of indication

Micro Tube 96A(16x6)-2.2

Cable construction provides fast access to micro-tubes and fibres (no tools required), minimum of sealing compound and avoiding the risk of micro-tube kinking

Cables are used for:

- for digital signal transmission in optic local networks as distribution cables
- for compact outdoor installation in PE ducts by pulling or floating techniques

### TECHNICAL SPECIFICATIONS

Number of optical micro-tube in cable		16
Number of optical fibers in cable	units	96
Permissible tensile force (short-term)	N	2200
Permissible tensile force (continuous)	N	1100
Permissible crushing force, no less than	N/10 sm	1500
Ambient temperature		
• during operation	°C	-30 ... +70
• during storage and transportation	°C	-30 ... +70
• during laying and installation	°C	-10 ... +40
Cable weight (approximate)	kg/km	100
Rated outer diameter of the cable (for reference) **	mm	10.9
Minimum bending radius during laying	mm	218
Minimum bending radius during operation	mm	109

Notes:

When ordering it is necessary to agree the factory length of the product with the manufacturer

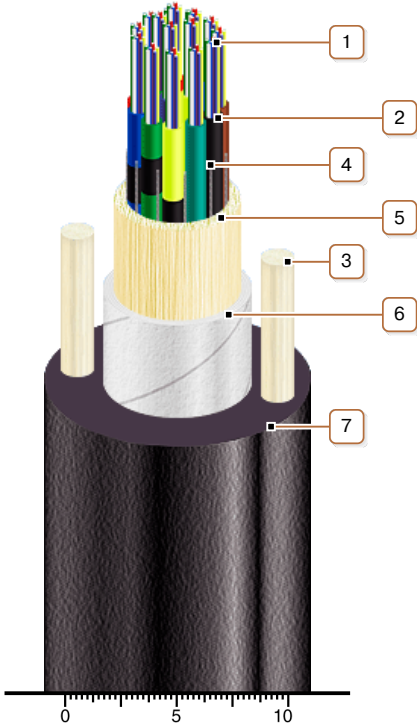
\*\* The external diameter may differ from the rated up to  $\pm 10\%$



## Micro Tube 96 \* (16x6)-2.2 TY Y 27.3-00214534-116:2019

Fiber optic distribution cables of micro-tube construction with HDPE sheath

### CONSTRUCTION



1. Optic fibers
2. Tube of fiber optic micromodule
3. Fiberglass rod in sheath
4. Water-blocking thread
5. Aramid-thread or glass-thread layer
6. Lapping layer of water-blocking tape
7. HDPE outer sheath

Note: Optical module twisting is not illustrated.