



Micro Tube 60 * (10x6)-1.6 TY Y 27.3-00214534-116:2019

Fiber optic distribution cables of micro-tube construction with HDPE sheath

Mark formation:

Micro Tube 60[c](10x6)-1.6

[c] type of optical fiber

- A – single-mode with extended wavelength band (ITU-T G.652D, ITU-T G.657A1)
- D - single-mode, not sensitive to losses on macro-bending (ITU-T G.657A2)

Order placing: sample of indication

Micro Tube 60A(10x6)-1.6

Cable construction provides fast access to micro-tubes and fibres (no tools required), minimum of sealing compound and avoiding the risk of micro-tube kinking

Cables are used for:

- for digital signal transmission in optic local networks as distribution cables
- for compact outdoor installation in PE ducts by pulling or floating techniques

TECHNICAL SPECIFICATIONS

Number of optical micro-tube in cable		10
Number of optical fibers in cable	units	60
Permissible tensile force (short-term)	N	1600
Permissible tensile force (continuous)	N	800
Permissible crushing force, no less than	N/10 sm	1500
Ambient temperature		
• during operation	°C	-30 ... +70
• during storage and transportation	°C	-30 ... +70
• during laying and installation	°C	-10 ... +40
Cable weight (approximate)	kg/km	85
Rated outer diameter of the cable (for reference) **	mm	10
Minimum bending radius during laying	mm	200
Minimum bending radius during operation	mm	100

Notes:

When ordering it is necessary to agree the factory length of the product with the manufacturer

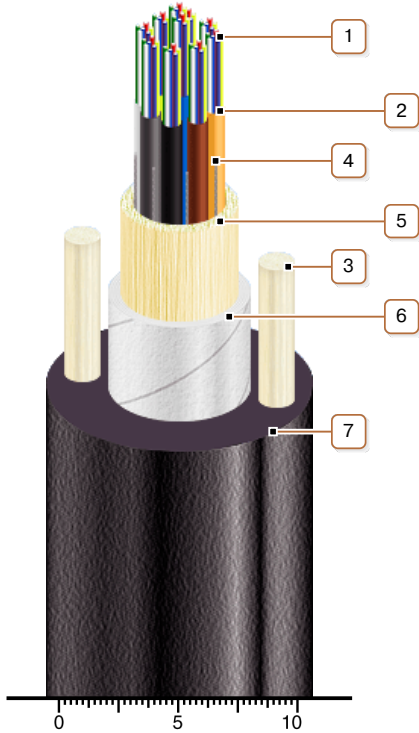
** The external diameter may differ from the rated up to $\pm 10\%$



Micro Tube 60 * (10x6)-1.6 TY Y 27.3-00214534-116:2019

Fiber optic distribution cables of micro-tube construction with HDPE sheath

CONSTRUCTION



1. *Optic fibers*
2. *Tube of fiber optic micromodule*
3. *Fiberglass rod in sheath*
4. *Water-blocking thread*
5. *Aramid-thread or glass-thread layer*
6. *Lapping layer of water-blocking tape*
7. *HDPE outer sheath*

Note: Optical module twisting is not illustrated.