



ОПТ * 8 – 8 TY Y 31.3-00214534-047:2005

Fiber optic overhead module-core cables, with polyethylene outer sheath

Mark formation:

ОПТ-[a]-[b] [c]8(8x[e])-8

[a] central strength element

- C – steel
- No marks – dielectric

[b] quantity of optical fibers in the cable, possible values

- 32, 48, 64, 80, 96, 104, 112, 120, 128

[c] type of optical fiber

- E – single-mode (ITU-T G.652B)
- A – single-mode with extended wavelength band (ITU-T G.652D, ITU-T G.657A1)
- C – single-mode with non-zero shifted dispersion (ITU-T G.655)
- M – multimode with core and sheath diameter ratio 50 : 125 mm (ITU-T G.651)
- B – multimode with core and sheath diameter ratio 62.5 : 125 mm (IEC 60793-2)

[e] quantity of optical fibers in the module:

- 1 ... 16
-

Manufacturing of cables in climate version F is possible

Manufacturing of cables with steel strength element is possible

Manufacturing of cables with armouring (aramid yarns and/or corrugated steel tape) is possible

Manufacturing of cables with steel or dielectric wire rope (glass fiber rod) is possible

Manufacturing of cables with flame-retardant polymer compound outer sheath is possible

It is possible to manufacture cables with gel-filled core or dry core (with water-blocking yarns and tapes)

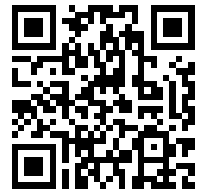
It is possible to manufacture cables with a number of core elements up to and including 18

Order placing: sample of indication (corresponds to configuration pattern)

ОПТ-80A8(8x10)-8 • TY Y 31.3-00214534-047:2005

Cables are used for:

- suspensions and operation at supports of aerial contact-lines, urban electric transport and aerial power transmission lines under impact of wind, ice or their combination loads



ОПТ * 8 – 8
ТУ У 31.3-00214534-047:2005

Fiber optic overhead module-core cables, with polyethylene outer sheath

TECHNICAL SPECIFICATIONS

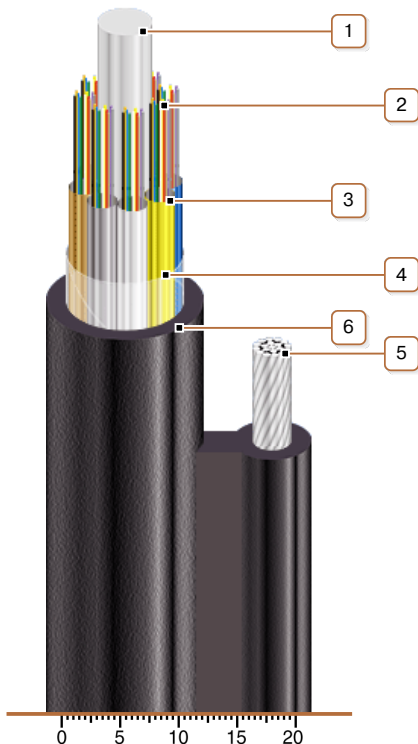
Number of cable core elements	units	8
Number of optical fibers in cable	units	32 ... 128
Electrical resistance of sheath insulation, not less than	MOhm · km	2000
Permissible tensile force	kN	8
Permissible crushing force, no less than	N/10 sm	3000
Operating temperature range	°C	-40 ... +60
Operating temperature range (in climate version F)	°C	-60 ... +60
Cable weight (approximate, depending on construction)	kg/km	200 ... 230
Rated outer diameter of the cable (for reference only, depending on construction) **	mm	12 ... 13
Cable width with suspension element (for reference only, depending on construction design)	mm	21 ... 23
Minimum bending radius during laying	mm	260
Rated factory cable length and gross weight of the delivery on the drums ***	m, t	# 12a: 2740 · 0.7 # 14: 3720 · 0.9

Notes:

When ordering it is necessary to agree the factory length of the product with the manufacturer

** The external diameter may differ from the rated up to $\pm 10\%$

CONSTRUCTION



1. Central dielectric strength element

Note: Manufacturing of cables with steel strength element is possible

2. Optic fibers

3. Tube of fiber optic module

4. PET film winding

5. Extended strength member (rope)

Note: Manufacturing of cables with steel or dielectric wire rope (glass fiber rod) is possible

6. Polyethylene outer sheath

Note: Manufacturing of cables with flame-retardant polymer compound outer sheath is possible

Notes:

- Optical module twisting is not illustrated.
- Manufacturing of cables with armoring (aramid yarns and/or corrugated steel tape) is possible
- It is possible to manufacture cables with gel-filled core or dry core (with water-blocking yarns and tapes)
- It is possible to manufacture cables with a number of core elements up to and including 18