



## ОПТ \* 5 – 8 ТУ У 31.3-00214534-047:2005

Fiber optic overhead module-core cables, with polyethylene outer sheath

### Mark formation:

ОПТ-[a]-[b] [c]5([d]x[e]+[f])-8

[a] central strength element

- C – steel
- No marks – dielectric

[b] quantity of optical fibers in the cable, possible values

- 8, 14, 16, 18, 20, 24, 26, 28, 30, 32, 36, 40, 48, 60, 65, 70, 75, 80

[c] type of optical fiber

- E – single-mode (ITU-T G.652B)
- A – single-mode with extended wavelength band (ITU-T G.652D, ITU-T G.657A1)
- C – single-mode with non-zero shifted dispersion (ITU-T G.655)
- M – multimode with core and sheath diameter ratio 50 : 125 mm (ITU-T G.651)
- B – multimode with core and sheath diameter ratio 62.5 : 125 mm (IEC 60793-2)

[d] 2 ... 5 – number of optical modules in cable

[e] quantity of optical fibers in the module:

- 1 ... 16

(f) quantity of insulated copper conductors in cable

Optical modules are completed with string fillers up to total number of core elements

Manufacturing of cables with two copper insulated remote power conductors instead of two string fillers is possible

Manufacturing of cables in climate version F is possible

Manufacturing of cables with steel strength element is possible

Manufacturing of cables with armouring (aramid yarns and/or corrugated steel tape) is possible

Manufacturing of cables with steel or dielectric wire rope (glass fiber rod) is possible

Manufacturing of cables with flame-retardant polymer compound outer sheath is possible

It is possible to manufacture cables with gel-filled core or dry core (with water-blocking yarns and tapes)

It is possible to manufacture cables with a number of core elements up to and including 18

Order placing: sample of indication (corresponds to configuration pattern)

ОПТ-32А5(4x8)-8 • ТУ У 31.3-00214534-047:2005

Cables are used for:

- suspensions and operation at supports of aerial contact-lines, urban electric transport and aerial power transmission lines under impact of wind, ice or their combination loads



**ОПТ \* 5 – 8**  
**ТУ У 31.3-00214534-047:2005**

Fiber optic overhead module-core cables, with polyethylene outer sheath

**TECHNICAL SPECIFICATIONS**

|  |           |   |
|--|-----------|---|
| Number of cable core elements  | units     | 5   |
| Number of optical fibers in cable  | units     | 8 ... 80                                    |
| Electrical resistance of sheath insulation, not less than                                  | MOhm · km | 2000  |
| Permissible tensile force  | kN        | 8   |
| Permissible crushing force, no less than   | N/10 sm   | 3000  |
| Operating temperature range  | °C        | -40 ... +60                                 |
| Operating temperature range (in climate version F)   | °C        | -60 ... +60                                 |
| Cable weight (approximate, depending on construction)                                      | kg/km     | 170 ... 185                                 |
| Rated outer diameter of the cable (for reference only, depending on construction) **       | mm        | 10 ... 11                                   |
| Cable width with suspension element (for reference only, depending on construction design) | mm        | 19 ... 20                                   |
| Minimum bending radius during laying   | mm        | 220   |
| Rated factory cable length and gross weight of the delivery on the drums ***               | m, t      | # 10a: 3120 · 0.6<br># 12a: **** 4000 · 0.8 |

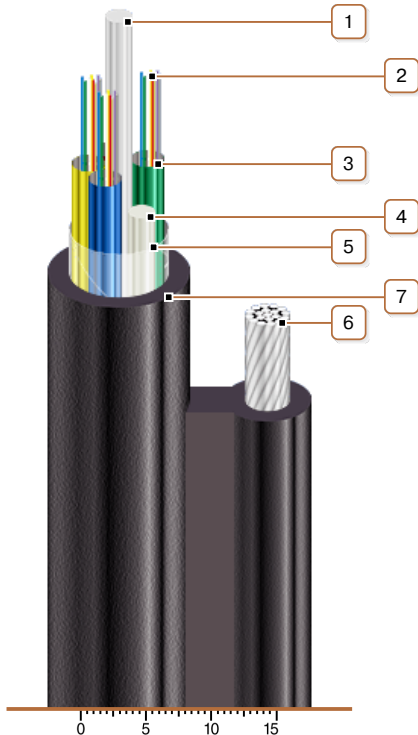
Notes:

When ordering it is necessary to agree the factory length of the product with the manufacturer

\*\* The external diameter may differ from the rated up to  $\pm 10\%$

\*\*\*\* Option delivery on not full drum

**CONSTRUCTION**



**1. Central dielectric strength element**

Note: Manufacturing of cables with steel strength element is possible

**2. Optic fibers**

**3. Tube of fiber optic module**

**4. String filler**

Note: Optical modules are completed with string fillers up to total number of core elements

**5. PET film winding**

**6. Extended strength member (rope)**

Note: Manufacturing of cables with steel or dielectric wire rope (glass fiber rod) is possible

**7. Polyethylene outer sheath**

Note: Manufacturing of cables with flame-retardant polymer compound outer sheath is possible

Notes:

- Optical module twisting is not illustrated.
- Manufacturing of cables with two copper insulated remote power conductors instead of two string fillers is possible
- Manufacturing of cables with armouring (aramid yarns and/or corrugated steel tape) is possible
- It is possible to manufacture cables with gel-filled core or dry core (with water-blocking yarns and tapes)
- It is possible to manufacture cables with a number of core elements up to and including 18