



ОApΠ * 10 – 15 TY Y 31.3-00214534-036-2004

Fiber optic module-core cables, aramid-yarn armoured, with polyethylene outer sheath

Mark formation:

ОApΠ-[a]-[b] [c]10(10x[e])-15

[a] central strength element

- C – steel
- No marks – dielectric

[b] quantity of optical fibers in the cable, possible values

- 60, 80, 100, 120, 130, 140, 150, 160

[c] type of optical fiber

- E – single-mode (ITU-T G.652B)
- A – single-mode with extended wavelength band (ITU-T G.652D, ITU-T G.657A1)
- C – single-mode with non-zero shifted dispersion (ITU-T G.655)
- M – multimode with core and sheath diameter ratio 50 : 125 mm (ITU-T G.651)
- B – multimode with core and sheath diameter ratio 62.5 : 125 mm (IEC 60793-2)

[e] quantity of optical fibers in the module:

- 1 ... 16
-

Manufacturing of cables in climate version F is possible

It is possible to manufacture cables with gel-filled core or dry core (with water-blocking yarns and tapes)

It is possible to manufacture cables with a number of core elements up to and including 18

Order placing: sample of indication (corresponds to configuration pattern)

ОApΠ-100A10(10x10)-15 • TY Y 31.3-00214534-036-2004

Cables are used for:

- suspensions between buildings and facilities, at power substations, at contact-line supports, at communication and lightning, power transmission lines supports



ОАрП * 10 – 15
ТУ У 31.3-00214534-036-2004

Fiber optic module-core cables, aramid-yarn armoured, with polyethylene outer sheath

TECHNICAL SPECIFICATIONS

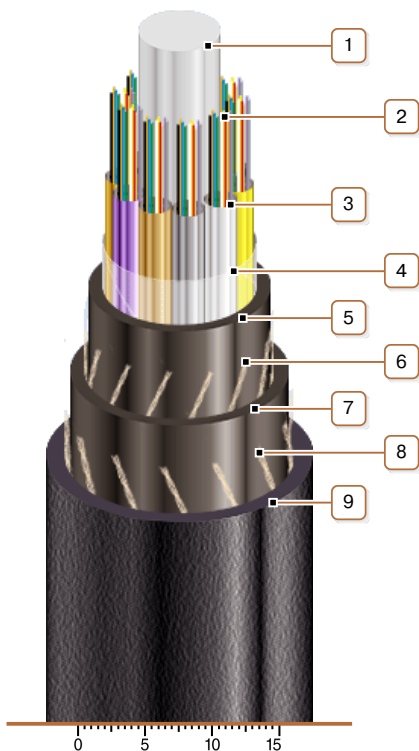
Number of cable core elements	units	10
Number of optical fibers in cable	units	60 ... 160
Electrical resistance of sheath insulation, not less than	MOhm · km	2000
Permissible tensile force	kN	15
Permissible crushing force, no less than	N/10 sm	3000
Operating temperature range	°C	-40 ... +60
Operating temperature range (in climate version F)	°C	-60 ... +60
Cable weight (approximate, depending on construction)	kg/km	275 ... 320
Rated outer diameter of the cable (for reference only, depending on construction) **	mm	18 ... 20
Minimum bending radius during laying	mm	400

Notes:

When ordering it is necessary to agree the factory length of the product with the manufacturer

** The external diameter may differ from the rated up to ± 10 %

CONSTRUCTION



1. Central dielectric strength element
2. Optic fibers
3. Tube of fiber optic module
4. PET film winding
5. Polyethylene inner sheath
6. Aramid-thread layer
7. Polyethylene inner sheath
8. Aramid-thread layer
9. Polyethylene outer sheath

Notes:

- Optical module twisting is not illustrated.
- It is possible to manufacture cables with gel-filled core or dry core (with water-blocking yarns and tapes)
- It is possible to manufacture cables with a number of core elements up to and including 18