



КПоПЭнг-НФ 7х0.75 **ТУ У 27.3-00214534-084:2016**

Control cables with copper conductors, with insulation made of halogen-free cross-linked polymer composition, sheathed with halogen-free polymer composition, with collective screen

For the cable of this mark correspond the foreign-made analogues:

КПоПЭнг-НФ (RU)

Used:

- for transmission of electrical signals, and distribution of electric energy in stationary electrical equipment for alternating voltages up to 660 V frequency up to 100 Hz, and DC voltage up to 1000 V, inside and outside the hermetic zone of nuclear power stations (NPS)
- for multi-cable installation (acc. GOST 31565:2012) in cable channels and premises of internal electrical installations
- for use in systems having security class 3 (B), 3 (C) and 4 according to the classification of НП 306.2.141-2008 and НП 306.2.202-2015

Fire safety code in accordance with ДСТУ 4809:2007: ПБ123122000

Products of this mark meet the requirements:

- single wire cable flame retardance
- bunched cable flame retardance category A
- toxicity class Tk3 of the combustion products of nonmetallic elements (toxicity index over 120 g/m³)
- class ДТк1 on smoke-forming ability by smouldering of non-metallic elements (coefficient of smoke formation from 50 to 500 m²/kg)
- class ДПк2 on smoke-forming ability by combustion (minimum luminous flux more than 60 %)
- corrosive class Кк2 of combustion products of non-metallic elements (the number of halogen hydrides less than 150 mg/g, pH more than 4.3, specific conductivity less than 10 μS/mm)



КПоПЭнг-НF 7x0.75 ТУ У 27.3-00214534-084:2016

Control cables with copper conductors, with insulation made of halogen-free cross-linked polymer composition, sheathed with halogen-free polymer composition, with collective screen

TECHNICAL SPECIFICATIONS

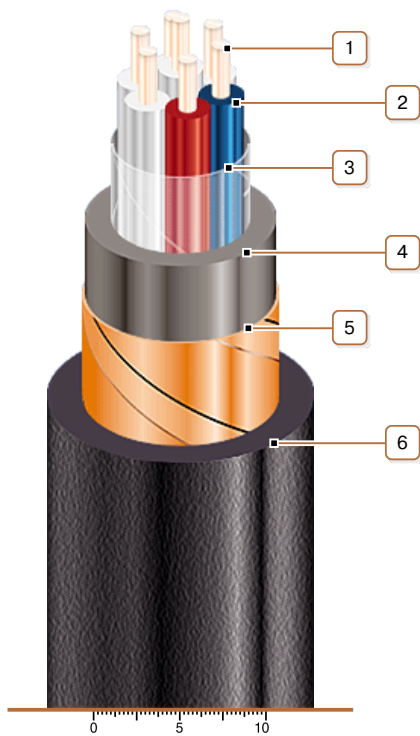
| | | |
|---|-----------------|-------------|
| Rated AC voltage of no more than 100 Hz | V | 660 |
| Rated DC voltage | V | 1000 |
| Number and rated diameter of conductors | mm ² | 7 x 0.75 |
| Operating temperature range | °C | -50 ... +60 |
| Permissible continuous conductors temperature | °C | +90 |
| Minimum bending radius by laying | mm | 95 |
| Cable outer diameter (for reference only) ** | mm | 15.7 |
| Cable weight (approximate) | kg/km | 357 |

Notes:

When ordering it is necessary to agree the factory length of the product with the manufacturer

** The external diameter may differ from the rated up to ± 10 %

CONSTRUCTION



1. Copper conductor
2. Insulation of cross-linked halogen-free polymer composition or cross-linked polyethylene
3. Wrapping the core with polyethylene terephthalate film
4. Halogen-free polymer compound inner sheath
5. Collective screen of copper tapes
6. Outer sheath of flame-retardant halogen-free polymer composition