



450302-024010000050



КУГВВЭнгд-FR 24x0.5 ТУ У 27.3-00214534-084:2016

Fire resistant control cables with copper conductors, with insulation and sheath made of low risk-of-fire PVC composition, with collective screen

For the cable of this mark correspond the foreign-made analogues:

КУГВВЭнг-FRLS (RU)

Used:

- for fixed installation of the control circuits operating at voltages up to 380 V AC 50 Hz or 500 V DC
- for multi-cable installation (acc. GOST 31565:2012) in cable channels and premises of internal electrical installations, including nuclear power stations (NPS) outside the under containment zone
- for use in systems having security class 2 (A), 3 (B), 3 (C), and 4 according to the classification of НП 306.2.141-2008 and НП 306.2.202-2015
- for cable lines of nuclear power stations security systems equipment, electrical wiring circuits of fire safety systems (fire alarm circuits, power supply of fire fighting pumps, lighting of emergency exits and escape routes, smoke removal and ventilation systems, evacuation elevators)
- for wirings for the operating departments of hospitals, emergency electric power supply circuits for equipment (current collectors), which operates in case of fire

Fire safety code in accordance with ДСТУ 4809:2007: ПБ123121080

Products of this mark meet the requirements:

- single wire cable flame retardance
- bunched cable flame retardance category A
- toxicity class Tk3 of the combustion products of nonmetallic elements (toxicity index over 120 g/m³)
- class ДТк1 on smoke-forming ability by smouldering of non-metallic elements (coefficient of smoke formation from 50 to 500 m²/kg)
- class ДПк2 on smoke-forming ability by combustion (minimum luminous flux more than 60 %)
- corrosive class Кк1 of combustion products of non-metallic elements (the number of halogen hydrides less than 150 mg/g, pH less than 4.3, specific conductivity more than 10 μS/mm)
- flame-resistant class FE180 under fire conditions with a temperature not less than 750 °C



КУГВВЭнгд-FR 24x0.5 ТУ У 27.3-00214534-084:2016

Fire resistant control cables with copper conductors, with insulation and sheath made of low risk-of-fire PVC composition, with collective screen

TECHNICAL SPECIFICATIONS

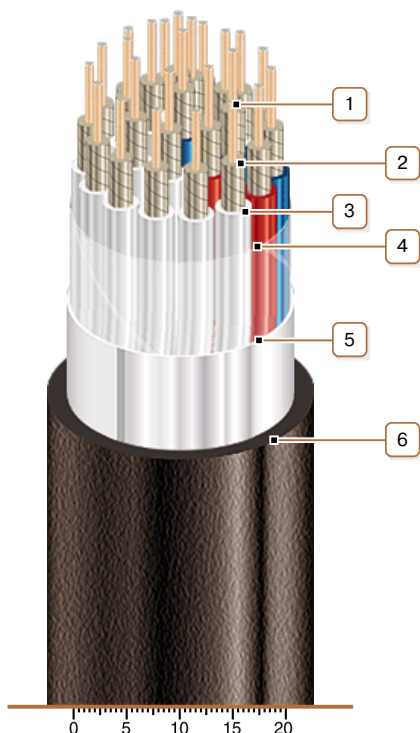
Rated AC voltage	V	380
Rated DC voltage	V	500
Number and rated diameter of conductors	mm ²	24 x 0.5
Operating temperature range	°C	-50 ... +60
Permissible continuous conductors temperature	°C	+70
Minimum bending radius by laying	mm	151
Cable outer diameter (for reference only) **	mm	25.1
Cable weight (approximate)	kg/km	601

Notes:

When ordering it is necessary to agree the factory length of the product with the manufacturer

** The external diameter may differ from the rated up to ± 10 %

CONSTRUCTION



1. Copper multiwire conductor
2. Fire-resistant barrier
3. Low fire-risk PVC compound insulation
4. Wrapping the core with polyethylene terephthalate film
5. Collective screen of aluminium foil or metallized PET with copper contact conductor
6. Outer sheath of low risk-of-fire polyvinylchloride (PVC) composition