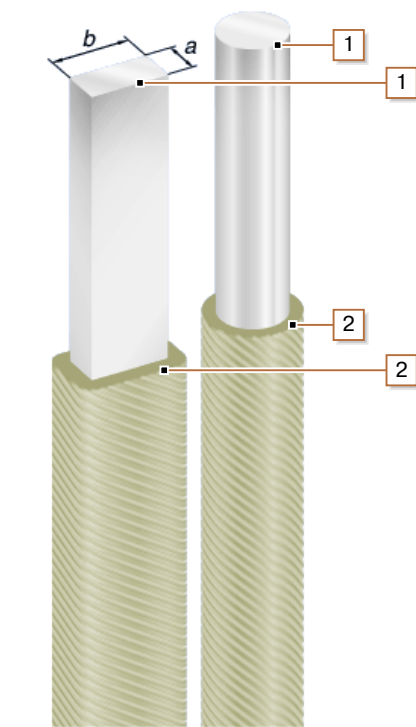


АПСДКТ ТУ 16.К71-129-91, ТУ У 31.3-00214534-027-2004

Aluminium glass-fiber insulated winding wires

TECHNICAL SPECIFICATIONS:

Round conductor diameter	mm	1.8 ... 5.3
Diametric insulation thickness of circular conductor	mm	0.2 ... 0.33
Range of sizes of the rectangular conductor on the «a» side	mm	1.8 ... 5.6
Range of sizes of the rectangular conductor on the «b» side	mm	3.35 ... 12.5
Doubled insulation thickness of rectangular conductor	mm	0.24 ... 0.4
Heat-resistance class		200 (200 °C)
Minimum permissible environment temperature	°C	-60



CONSTRUCTION:

1. Aluminium conductor
2. Double-layer glass-thread thinned insulation, with silicone enamel pasting and impregnation