



АПНПнгд 2 x 6 ТУ У 31.3-00214534-059:2008

Connecting flat household wires with aluminium conductors, low fire-risk PVC compound insulation, low fire-risk PVC compound outer sheath

Used for:

- *laying in lighting networks for AC voltage up to 250 V, including on the wooden constructions*

Fire safety code in accordance with ДСТУ 4809:2007: ПБ123121000

Products of this mark meet the requirements:

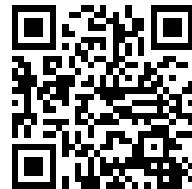
- *single wire cable flame retardance*
- *bunched cable flame retardance category A*
- *toxicity class Tk3 of the combustion products of nonmetallic elements (toxicity index over 120 g/m³)*
- *class ДТк1 on smoke-forming ability by smouldering of non-metallic elements (coefficient of smoke formation from 50 to 500 m²/kg)*
- *class ДПк2 on smoke-forming ability by combustion (minimum luminous flux more than 60 %)*
- *corrosive class Kк1 of combustion products of non-metallic elements (the number of halogen hydrides less than 150 mg/g, pH less than 4.3, specific conductivity more than 10 μS/mm)*

TECHNICAL SPECIFICATIONS

Rated voltage	kV	0.38
Number and rated area of conductors	mm ²	2 x 6
Insulation thickness	mm	0.5
Permissible continuous current by aerial laying	A	18.2
Operating temperature range	°C	-15 ... +50
Flexibility class acc. to ГОСТ 22483-77		1
Minimum bending radius by laying	mm	43
Width and thickness (rated, for reference only)	mm	8.6 x 4.9
Weight (approximate)	kg/km	77

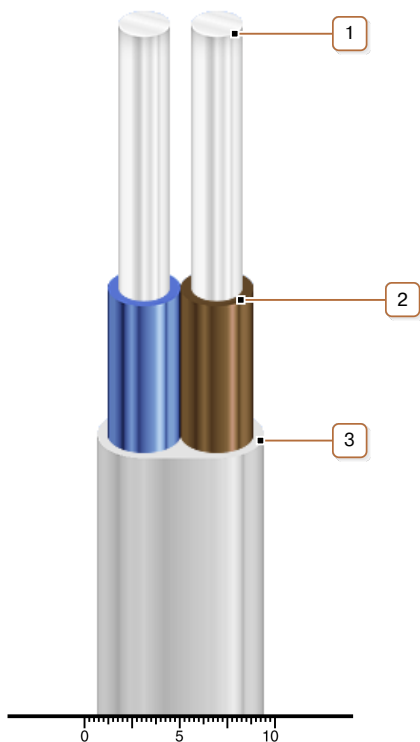
Notes:

When ordering it is necessary to agree the factory length of the product with the manufacturer



АПНПнгд 2 x 6 ТУ У 31.3-00214534-059:2008

Connecting flat household wires with aluminium conductors, low fire-risk PVC compound insulation, low fire-risk PVC compound outer sheath



CONSTRUCTION

1. Aluminium conductor
2. Low fire-risk PVC compound insulation
3. Low fire-risk PVC compound outer sheath