

NHXMH-O 5x6 DIN VDE 0250-214

Power cables with copper conductors, XLPE-insulated, with halogen-free polymer compound outer sheath

Cables are used for:

- electric wiring and cable lines installation in industrial, residential and public buildings and facilities
- laying over the plaster, inside and under plaster, in brick masonry and concrete, in pipes and ducts
- wiring in office premises equipped with computer and microprocessor equipment, in kindergartens, schools, hospitals, for cable lines of entertainment complexes and sports facilities
- outdoor installation, if protected from sun rays

Manufacturing of cables with light-stabilized outer sheath is possible

Fire safety code in accordance with ДСТУ 4809:2007: ПБ123122000

Products of this mark meet the requirements:

- single wire cable flame retardance
- bunched cable flame retardance category A
- toxicity class Tk3 of the combustion products of nonmetallic elements (toxicity index over 120 g/m³)
- class ДТк1 on smoke-forming ability by smouldering of non-metallic elements (coefficient of smoke formation from 50 to 500 m²/kg)
- class ДПк2 on smoke-forming ability by combustion (minimum luminous flux more than 60 %)
- corrosive class Kk2 of combustion products of non-metallic elements (the number of halogen hydrides less than 150 mg/g, pH more than 4.3, specific conductivity less than 10 μS/mm)

TECHNICAL SPECIFICATIONS

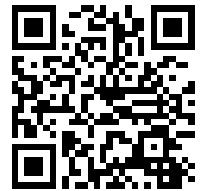
Rated voltage	kV	0.66
Number and rated area of conductors	mm ²	5 x 6
Insulation thickness	mm	0.6
Permissible continuous current rating *		
• by aerial laying (AC of industrial frequency) *	A	52
• by burial (AC of industrial frequency) *	A	59
Operating temperature range	°C	-50 ... +50
Minimum bending radius by laying	mm	62.4
Rated outer diameter of the cable (for reference) **	mm	15.6
Cable weight (approximate)	kg/km	510
Rated factory cable length and gross weight of the delivery on the drums	m, t	# 12: 1450 • 0.9

Notes:

When ordering it is necessary to agree the factory length of the product with the manufacturer

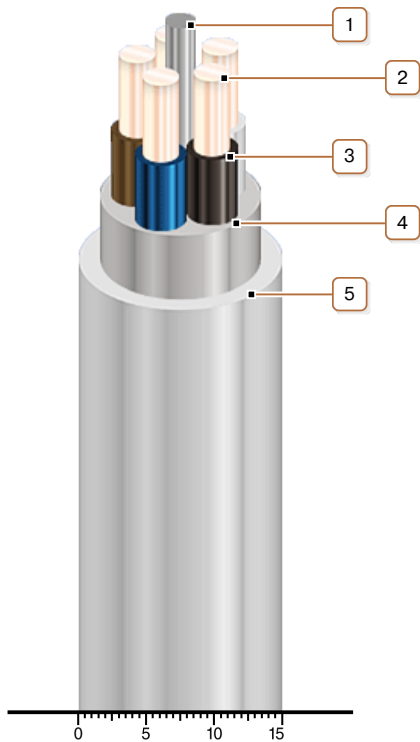
* Long permissible current loads are calculated for the following conditions: air temperature plus 25 °C, soil temperature plus 15 °C, thermal resistivity of soil 1.2 °K·m/W, laying depth in the soil 0.7 m

** The external diameter may differ from the rated up to ± 10 %



NHXMH-O 5x6 DIN VDE 0250-214

Power cables with copper conductors, XLPE-insulated, with halogen-free polymer compound outer sheath



CONSTRUCTION

1. Filling harness
2. Copper conductor
3. XLPE insulation
4. Halogen-free polymer compound inner sheath
5. Outer sheath of halogen-free polymer composition

Note: Manufacturing of cables with light-stabilized outer sheath is possible