



## БК6ШВ 2x1.5-0.66 TY Y 31.3-00214534-057:2007

Power cables with copper conductors, with PVC-compound insulation, galvanized steel-wire armoured, with PVC-compound protection hose

Cables are used for laying:

- *single laying*
- *in premises, dry ducts and tunnels, in corrosive environment*
- *in places, where small mechanical impacts on cable are possible, including tensile forces*

It is possible manufacturing of cables in cold-resistant performance (БК6ШВ-ХЛ)

Fire safety code in accordance with ДСТУ 4809:2007: ПБ100000000

Products of this mark meet the requirements:

- *single wire cable flame retardance*

### TECHNICAL SPECIFICATIONS

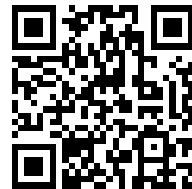
|  |                 |                  |
|--|-----------------|------------------|
| Rated voltage  | kV              | 0.66             |
| Number and rated area of conductors  | mm <sup>2</sup> | 2 x 1.5          |
| Insulation thickness   | mm              | 0.6              |
| Armor wire diameter  | mm              | 0.3              |
| Permissible continuous current rating *                                      |                 |                  |
| • <i>by aerial laying (AC of industrial frequency) *</i>                     | A               | 21               |
| • <i>by burial (AC of industrial frequency) *</i>                            | A               | 27               |
| Maximum permissible conductor temperature                                    |                 |                  |
| • <i>Continuous</i>  | °C              | +70              |
| • <i>in emergency operation</i>  | °C              | +80              |
| • <i>at short circuit</i>  | °C              | +160             |
| Operating temperature range  | °C              | -50 ... +50      |
| Minimum bending radius by laying   | mm              | 82.5             |
| Rated outer diameter of the cable (for reference) **                         | mm              | 11               |
| Cable weight (approximate)   | kg/km           | 180              |
| Rated factory cable length and gross weight of the delivery on the drums *** | m, t            | # 10: 1970 • 0.4 |

Notes:

When ordering it is necessary to agree the factory length of the product with the manufacturer

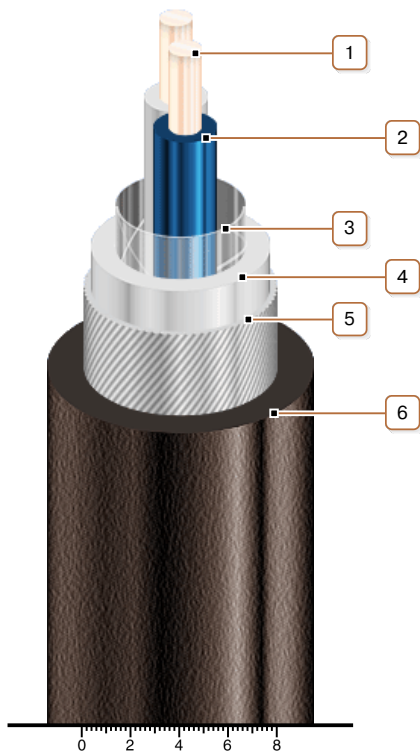
\* Long permissible current loads are calculated for the following conditions: air temperature plus 25 °C, soil temperature plus 15 °C, thermal resistivity of soil 1.2 °K·m/W, laying depth in the soil 0.7 m

\*\* The external diameter may differ from the rated up to ± 10 %



## **БК6ШВ 2x1.5-0.66** **ТУ У 31.3-00214534-057:2007**

Power cables with copper conductors, with PVC-compound insulation, galvanized steel-wire armoured, with PVC-compound protection hose



### **CONSTRUCTION**

1. Copper conductor
2. PVC compound insulation
3. PET film winding
4. PVC compound belt insulation
5. Round galvanized steel-wire armour
6. Pressed PVC compound protection hose

*Notes:*

- It is possible manufacturing of cables in cold-resistant performance (БК6ШВ-ХЛ)
- Conductor twisting is not illustrated