



**КГВ 3x16+1x6+2x6**  
**TY Y 31.3-00214534-006-2001**

Power flexible cables with copper conductors, PVC compound insulation, outer PVC compound sheath

Cables for connecting of moveable devices to the power network for rated voltage of 660 V, frequency up to 400 Hz or constant voltage of 1000 V

Fire safety code in accordance with ДСТУ 4809:2007: ПБ100000000

Products of this mark meet the requirements:

- *single wire cable flame retardance*

**TECHNICAL SPECIFICATIONS**

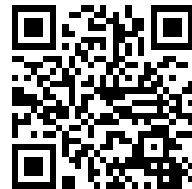
Rated voltage	kV	0.66
Number and rated area of main conductors	mm <sup>2</sup>	3 x 16
Number and rated area of additional conductors	mm <sup>2</sup>	2 x 6
Earth conductor rated area	mm <sup>2</sup>	6
Insulation thickness	mm	1
Permissible continuous current rating *		
• <i>by aerial laying (AC of industrial frequency) *</i>	A	84
Operating temperature range	°C	-50 ... +70
Flexibility class acc. to GOST 22483-77		5
Minimum bending radius by laying	mm	232
Rated outer diameter of the cable (for reference) **	mm	29
Cable weight (approximate)	kg/km	1250
Rated factory cable length and gross weight of the delivery on the drums	m, t	# 14: 700 • 1.1

Notes:

*When ordering it is necessary to agree the factory length of the product with the manufacturer*

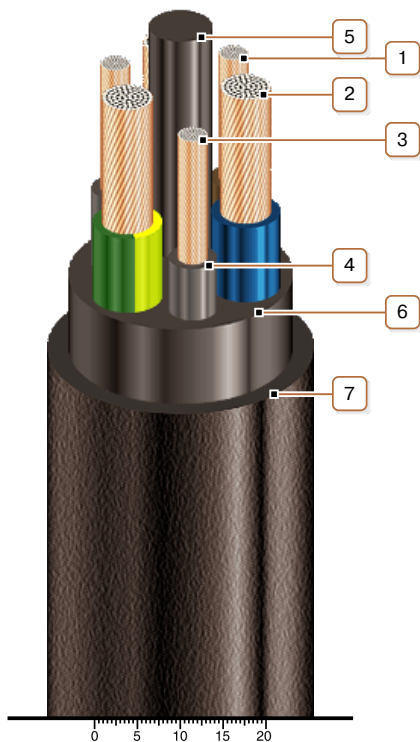
*\* Long permissible current loads are calculated for the air temperature plus 25 °C*

*\*\* The external diameter may differ from the rated up to ± 10 %*



## **КГВ 3x16+1x6+2x6** **TY Y 31.3-00214534-006-2001**

Power flexible cables with copper conductors, PVC compound insulation, outer PVC compound sheath



### **CONSTRUCTION**

1. Copper multiwire earth conductor
2. Copper multiwire conductor
3. Copper multiwire additional conductor
4. PVC compound insulation
5. PVC compound bundle
6. PVC compound inner sheath
7. PVC compound outer sheath

*Note: Conductor twisting is not illustrated*