



## СБПАуБпШп 3x2x1 ТУ У 31.3-00214534-008-2001

Signal blocking cables with copper conductors, with polyethylene insulation, in reinforced aluminium sheath, with double-steel-tape armouring, in polyethylene hose

Designed for electrical installations of railway signaling, centralization, blocking and automation at a rated voltage of 380 V AC at frequency 50 Hz or 700 V DC

Cables are used for laying:

- in soil
- for increased protection of circuits against external electrical influences
- in places, where small mechanical impacts on cable are possible, including tensile forces

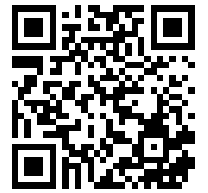
### TECHNICAL SPECIFICATIONS

Rated voltage	V	380 / 700
Number of pairs and nominal conductor diameter		3 x 1
Electrical resistance of the conductor at 20 °C	Ohm/km	28.8
Operating capacity, not more than	nF/km	100.0
Attenuation coefficient of pairs at a temperature of 20 °C, not more than	dB/km	0.94
Coupling losses on near-end of cable between any pairs over a length of 300 m, not less than:		
• for 100% of the values	dB	60.0
• for 80% of the values	dB	62.0
Protective action coefficient of aluminium sheath at longitudinal EMF of 30 V/ km, not more than:		0.1
Operating temperature range	°C	-50 ... +60
Minimum bending radius by laying	mm	324
Cable outer diameter (for reference only) **	mm	27
Cable weight (approximate)	kg/km	1003
Rated factory cable length and gross weight of the delivery on the drums	m, t	# 14: 800 • 1.0

Notes:

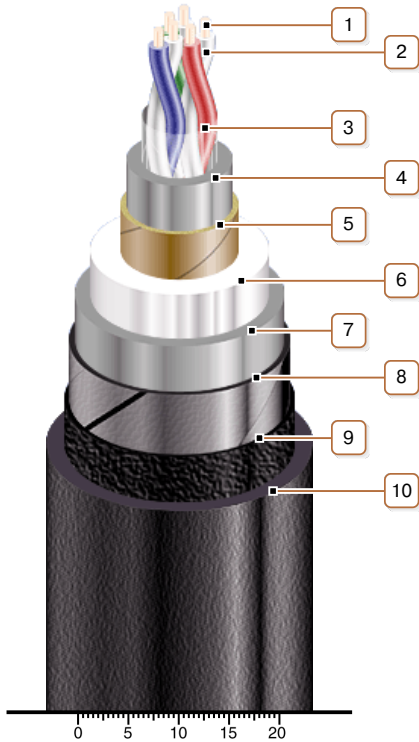
When ordering it is necessary to agree the factory length of the product with the manufacturer

\*\* The external diameter may differ from the rated up to  $\pm 10\%$



## СБПАуБпШп 3x2x1 ТУ У 31.3-00214534-008-2001

Signal blocking cables with copper conductors, with polyethylene insulation, in reinforced aluminium sheath, with double-steel-tape armouring, in polyethylene hose



### CONSTRUCTION

1. Copper conductor
2. Polyethylene insulation
3. PET film winding
4. Polyethylene inner sheath
5. Paper core wrapping
6. Strengthened aluminium sheath
7. Pressed polyethylene bedding
8. Double steel-tape armour
9. Bitumen layer
10. Polyethylene protection hose

Note: Pair twisting in the layer of core on the picture not shown.