

СБВБГнг 3x0.9 ТУ У 31.3-00214534-008-2001

Signal blocking cables with copper conductors, with polyethylene insulation, in low flammable PVC compound sheath, with galvanized double-steel-tape armouring

Designed for electrical installations of railway signaling, centralization, blocking and automation at a rated voltage of 380 V AC at frequency 50 Hz or 700 V DC

Cables are used for laying:

- *in bunches*
- *in dry cable duct system, tunnels, collectors*
- *in places, where small mechanical impacts on cable are possible, including tensile forces*

Fire safety code in accordance with ДСТУ 4809:2007: ПБ121000000

Products of this mark meet the requirements:

- *single wire cable flame retardance*
- *bunched cable flame retardance category A*
- *toxicity class Tk1 of the combustion products of nonmetallic elements (toxicity index from 13 up to 40 g/m³)*

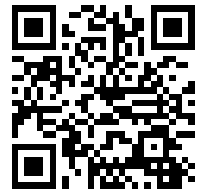
TECHNICAL SPECIFICATIONS

Rated voltage	V	380 / 700
Number and rated diameter of conductors	mm	3 x 0.9
Electrical resistance of the conductor at 20 °C	Ohm/km	23.3
Operating capacity, not more than	nF/km	150.0
Operating temperature range	°C	-50 ... +60
Minimum bending radius by laying	mm	108
Cable outer diameter (for reference only) **	mm	9
Cable weight (approximate)	kg/km	186

Notes:

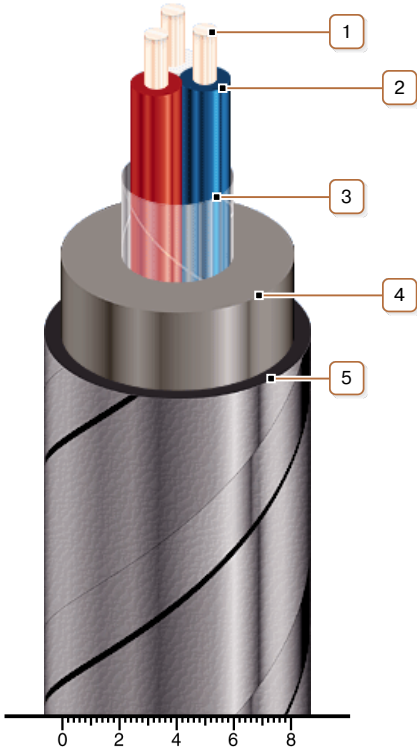
When ordering it is necessary to agree the factory length of the product with the manufacturer

*** The external diameter may differ from the rated up to ± 10 %*



СБВБГнг 3x0.9
ТУ У 31.3-00214534-008-2001

Signal blocking cables with copper conductors, with polyethylene insulation, in low flammable PVC compound sheath, with galvanized double-steel-tape armouring



CONSTRUCTION

1. Copper conductor
2. Polyethylene insulation
3. PET film winding
4. Low flammable PVC compound sheath
5. Double galvanized steel-tape armouring

Note: Conductor twisting is not illustrated