

## КВКбШвнг 5x2.5 ТУ У 31.3-00214534-057:2007

Control cables with copper conductors, with PVC-compound insulation, galvanized steel-wire armoured, with low-flammable PVC-compound protection hose

Cables are used for laying:

- in premises, dry ducts and tunnels, in corrosive environment
- in places, where small mechanical impacts on cable are possible, including tensile forces
- in bunches

It is possible manufacturing of cables in cold-resistant performance (КВКбШвнг-ХЛ)

It is possible manufacturing of cables of low fire risk (КВКбШнгд), including fire-resistant (КВКбШнгд-FR) and cold-resistant (КВКбШнгд-ХЛ)

It is possible manufacturing of cables with polymer compound sheath, halogen-free (КВКбПнг-НФ), including fire-resistant (КВКбПнг-FRHF)

Fire safety code in accordance with ДСТУ 4809:2007: ПБ120000000

Products of this mark meet the requirements:

- single wire cable flame retardance
- bunched cable flame retardance category A

### TECHNICAL SPECIFICATIONS

Rated voltage (AC / DC)	V	660 / 1000
Number and rated area of conductors	mm <sup>2</sup>	5 x 2.5
Armor wire diameter	mm	0.3
Minimum bending radius by laying	mm	105
Cable outer diameter (for reference only) **	mm	14
Cable weight (approximate)	kg/km	340
Rated factory cable length and gross weight of the delivery on the drums	m, t	# 10: 1210 • 0.5 # 12: 1670 • 0.7

Notes:

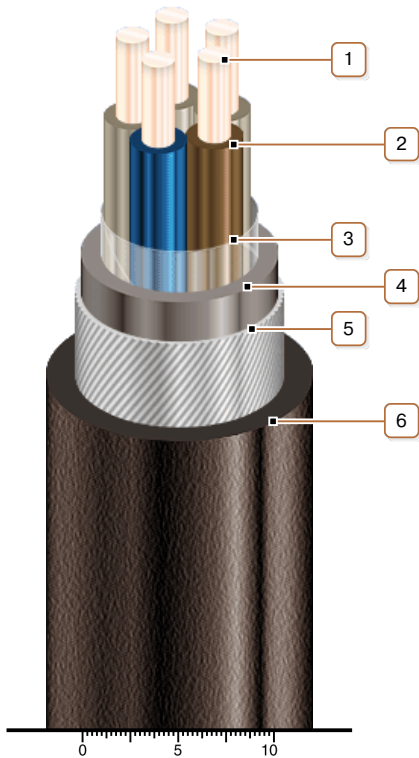
When ordering it is necessary to agree the factory length of the product with the manufacturer

\*\* The external diameter may differ from the rated up to  $\pm 10\%$



## КВКбШвнг 5x2.5 ТУ У 31.3-00214534-057:2007

Control cables with copper conductors, with PVC-compound insulation, galvanized steel-wire armoured, with low-flammable PVC-compound protection hose



### CONSTRUCTION

1. Copper conductor
2. PVC compound insulation
3. PET film winding
4. PVC compound belt insulation
5. Round galvanized steel-wire armour
6. Pressed off low-flammable PVC compound protection hose

#### Notes:

- It is possible manufacturing of cables in cold-resistant performance (КВКбШвнг-ХЛ)
- It is possible manufacturing of cables of low fire risk (КВКбШнгд), including fire-resistant (КВКбШнгд-FR) and cold-resistant (КВКбШнгд-ХЛ)
- It is possible manufacturing of cables with polymer compound sheath, halogen-free (КВКбПнг-HF), including fire-resistant (КВКбПнг-FRHF)
- Conductor twisting is not illustrated