

КВКбШвнг 4x0.75 **ТУ У 31.3-00214534-057:2007**

Control cables with copper conductors, with PVC-compound insulation, galvanized steel-wire armoured, with low-flammable PVC-compound protection hose

Cables are used for laying:

- *in premises, dry ducts and tunnels, in corrosive environment*
- *in places, where small mechanical impacts on cable are possible, including tensile forces*
- *in bunches*

It is possible manufacturing of cables in cold-resistant performance (КВКбШвнг-ХЛ)

It is possible manufacturing of cables of low fire risk (КВКбШнгд), including fire-resistant (КВКбШнгд-FR) and cold-resistant (КВКбШнгд-ХЛ)

It is possible manufacturing of cables with polymer compound sheath, halogen-free (КВКбПнг-НФ), including fire-resistant (КВКбПнг-FRHF)

Fire safety code in accordance with ДСТУ 4809:2007: ПБ120000000

Products of this mark meet the requirements:

- *single wire cable flame retardance*
- *bunched cable flame retardance category A*

TECHNICAL SPECIFICATIONS

Rated voltage (AC / DC)	V	660 / 1000
Number and rated area of conductors	mm ²	4 x 0.75
Armor wire diameter	mm	0.3
Minimum bending radius by laying	mm	82.5
Cable outer diameter (for reference only) **	mm	11
Cable weight (approximate)	kg/km	200
Rated factory cable length and gross weight of the delivery on the drums ***	m, t	# 10: 1970 • 0.5

Notes:

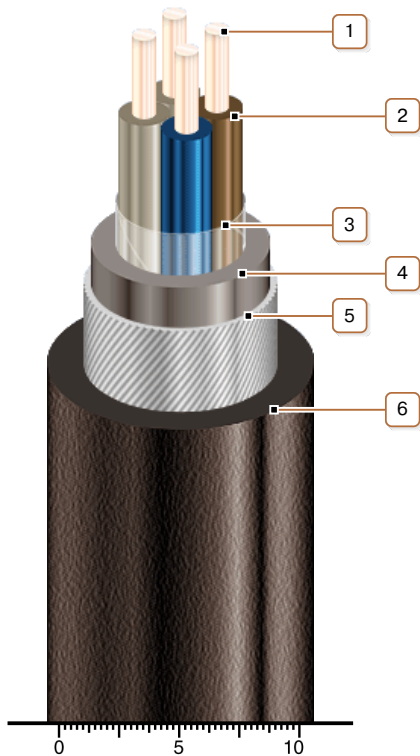
When ordering it is necessary to agree the factory length of the product with the manufacturer

*** The external diameter may differ from the rated up to $\pm 10\%$*



КВКБШВнг 4x0.75 ТУ У 31.3-00214534-057:2007

Control cables with copper conductors, with PVC-compound insulation, galvanized steel-wire armoured, with low-flammable PVC-compound protection hose



CONSTRUCTION

1. Copper conductor
2. PVC compound insulation
3. PET film winding
4. PVC compound belt insulation
5. Round galvanized steel-wire armour
6. Pressed off low-flammable PVC compound protection hose

Notes:

- It is possible manufacturing of cables in cold-resistant performance (КВКБШВнг-ХЛ)
- It is possible manufacturing of cables of low fire risk (КВКБШнгд), including fire-resistant (КВКБШнгд-FR) and cold-resistant (КВКБШнгд-ХЛ)
- It is possible manufacturing of cables with polymer compound sheath, halogen-free (КВКБПнг-HF), including fire-resistant (КВКБПнг-FRHF)
- Conductor twisting is not illustrated