



КВБШнгд 4х1 ТУ У 31.3-00214534-018-2003

Control flame-retardant cables with copper conductors, galvanized double steel-tape armoured, with low fire-risk PVC compound insulation, PVC compound protection hose, low smoke and gas emission

Cables are used for laying:

- in premises, dry ducts and tunnels, in corrosive environment
- in places, where small mechanical impacts on cable are possible, including tensile forces
- in bunches, in crowded places

Fire safety code in accordance with ДСТУ 4809:2007: ПБ123121000

Products of this mark meet the requirements:

- single wire cable flame retardance
- bunched cable flame retardance category A
- toxicity class Tk3 of the combustion products of nonmetallic elements (toxicity index over 120 g/m³)
- class ДТк1 on smoke-forming ability by smouldering of non-metallic elements (coefficient of smoke formation from 50 to 500 m²/kg)
- class ДПк2 on smoke-forming ability by combustion (minimum luminous flux more than 60 %)
- corrosive class Кк1 of combustion products of non-metallic elements (the number of halogen hydrides less than 150 mg/g, pH less than 4.3, specific conductivity more than 10 μS/mm)

TECHNICAL SPECIFICATIONS

Rated voltage (AC / DC)	V	660 / 1000
Number and rated area of conductors	mm ²	4 x 1
Minimum bending radius by laying	mm	140
Cable outer diameter (for reference only) **	mm	14
Cable weight (approximate)	kg/km	340
Rated factory cable length and gross weight of the delivery on the drums ***	m, t	# 10: 1210 • 0.5 # 12: 1670 • 0.7

Notes:

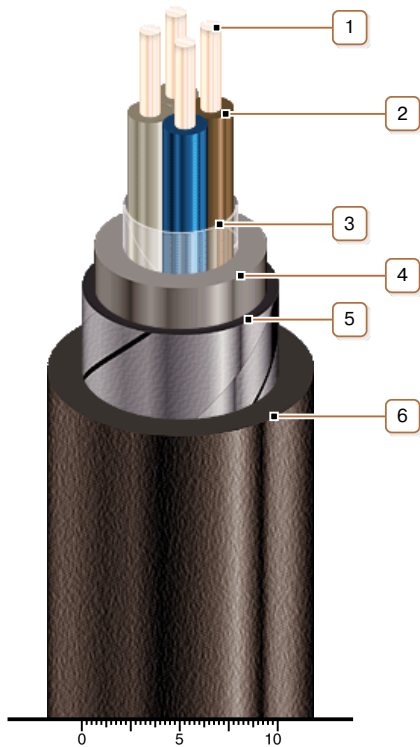
When ordering it is necessary to agree the factory length of the product with the manufacturer

** The external diameter may differ from the rated up to ± 10 %



КВБШнгд 4х1 ТУ У 31.3-00214534-018-2003

Control flame-retardant cables with copper conductors, galvanized double steel-tape armoured, with low fire-risk PVC compound insulation, PVC compound protection hose, low smoke and gas emission



CONSTRUCTION

1. Copper conductor
2. Low fire-risk PVC compound insulation
3. PET film winding
4. PVC compound belt insulation
5. Double galvanized steel-tape armour
6. Pressed off low fire-risk PVC compound protection hose

Note: Conductor twisting is not illustrated