



## NAYY-O 4x6 RE-0.6/1 DIN VDE 0276-603

Power cables with aluminium conductors, with PVC-compound insulation, with PVC-compound outer sheath

Cables are used for laying:

- *single laying*
- *in premises, dry ducts and tunnels, in corrosive environment*

Fire safety code in accordance with ДСТУ 4809:2007: ПБ100000000

Products of this mark meet the requirements:

- *single wire cable flame retardance*

### TECHNICAL SPECIFICATIONS

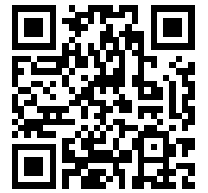
|  |                 |                  |
|--|-----------------|------------------|
| Rated voltage  | kV              | 1                |
| Number and rated area of conductors                                      | mm <sup>2</sup> | 4 x 6            |
| Phase insulation thickness   | mm              | 1                |
| Permissible continuous current rating (AC of industrial frequency) *     |                 |                  |
| • <i>by aerial laying</i>  | A               | 34               |
| • <i>by burial</i>   | A               | 40               |
| Maximum permissible conductor temperature                                |                 |                  |
| • <i>Continuous</i>  | °C              | +70              |
| • <i>in emergency operation</i>  | °C              | +90              |
| • <i>at short circuit</i>  | °C              | +160             |
| Operating temperature range  | °C              | -50 ... +50      |
| Minimum bending radius by laying   | mm              | 134.25           |
| Rated outer diameter of the cable (for reference) **                     | mm              | 17.9             |
| Cable weight (approximate)   | kg/km           | 570              |
| Rated factory cable length and gross weight of the delivery on the drums | m, t            | # 12: 1130 • 0.8 |

Notes:

*When ordering it is necessary to agree the factory length of the product with the manufacturer*

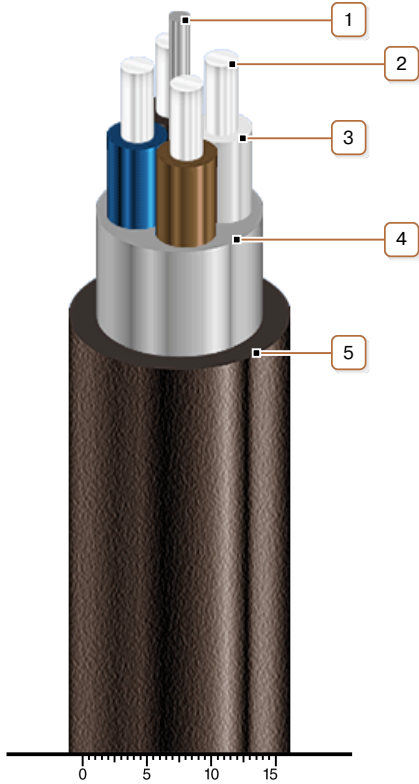
*\* Long permissible current loads are calculated during operation in four-wire networks with load in all the conductors for the following conditions: air temperature plus 25 °C, soil temperature plus 15 °C, thermal resistivity of soil 1.2 °K·m/W, laying depth in the soil 0.7 m*

*\*\* The external diameter may differ from the rated up to ± 10 %*



## NAYY-O 4x6 RE-0.6/1 DIN VDE 0276-603

Power cables with aluminium conductors, with PVC-compound insulation, with PVC-compound outer sheath



### CONSTRUCTION

1. Filling harness
2. Aluminium conductor
3. PVC compound insulation
4. PVC compound inner sheath
5. PVC compound outer sheath