



## NAYY-O 2x10 RE-0.6/1 DIN VDE 0276-603

Power cables with aluminium conductors, with PVC-compound insulation, with PVC-compound outer sheath

Cables are used for laying:

- *single laying*
- *in premises, dry ducts and tunnels, in corrosive environment*

Fire safety code in accordance with ДСТУ 4809:2007: ПБ100000000

Products of this mark meet the requirements:

- *single wire cable flame retardance*

### TECHNICAL SPECIFICATIONS

Rated voltage	kV	1
Number and rated area of conductors	mm <sup>2</sup>	2 x 10
Phase insulation thickness	mm	1
Permissible continuous current rating (AC of industrial frequency) *		
• <i>by aerial laying</i>	A	50
• <i>by burial</i>	A	59
Maximum permissible conductor temperature		
• <i>Continuous</i>	°C	+70
• <i>in emergency operation</i>	°C	+90
• <i>at short circuit</i>	°C	+160
Operating temperature range	°C	-50 ... +50
Minimum bending radius by laying	mm	132
Rated outer diameter of the cable (for reference) **	mm	17.6
Cable weight (approximate)	kg/km	550
Rated factory cable length and gross weight of the delivery on the drums	m, t	# 12: 1130 • 0.7

Notes:

*When ordering it is necessary to agree the factory length of the product with the manufacturer*

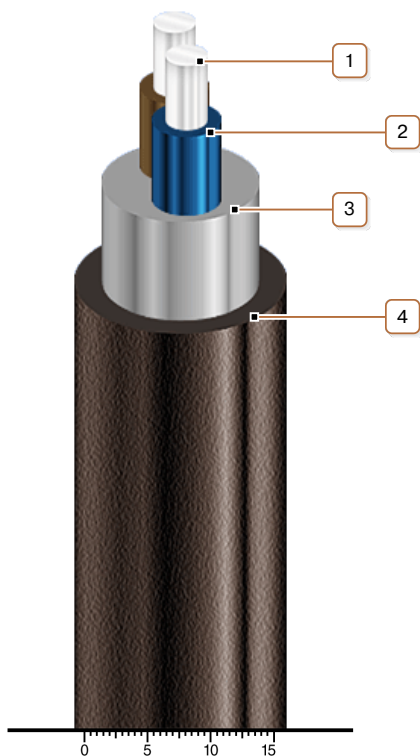
*\* Long permissible current loads are calculated for the following conditions: air temperature plus 25 °C, soil temperature plus 15 °C, thermal resistivity of soil 1.2 °K·m/W, laying depth in the soil 0.7 m*

*\*\* The external diameter may differ from the rated up to ± 10 %*



## NAYY-O 2x10 RE-0.6/1 DIN VDE 0276-603

Power cables with aluminium conductors, with PVC-compound insulation, with PVC-compound outer sheath



### CONSTRUCTION

1. Aluminium conductor
2. PVC compound insulation
3. PVC compound inner sheath
4. PVC compound outer sheath