



N2XY-J 5x16 RM-0.6/1 DIN VDE 0276-603

Power cables with copper conductors, XLPE-insulated, with PVC-compound outer sheath

Cables are used for laying:

- *single laying*
- *in premises, dry ducts and tunnels, in corrosive environment*

Fire safety code in accordance with ДСТУ 4809:2007: ПБ100000000

Products of this mark meet the requirements:

- *single wire cable flame retardance*

TECHNICAL SPECIFICATIONS

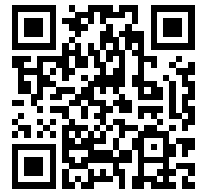
Rated voltage	kV	1
Number and rated area of conductors	mm ²	5 x 16
Phase insulation thickness	mm	1
Permissible continuous current rating (AC of industrial frequency) *		
• <i>by aerial laying</i>	A	96
• <i>by burial</i>	A	104
Maximum permissible conductor temperature		
• <i>Continuous</i>	°C	+90
• <i>in emergency operation</i>	°C	+130
• <i>at short circuit</i>	°C	+250
Operating temperature range	°C	-50 ... +50
Minimum bending radius by laying	mm	188.25
Rated outer diameter of the cable (for reference) **	mm	25.1
Cable weight (approximate)	kg/km	1290
Rated factory cable length and gross weight of the delivery on the drums ***	m, t	# 14: 930 • 1.4

Notes:

When ordering it is necessary to agree the factory length of the product with the manufacturer

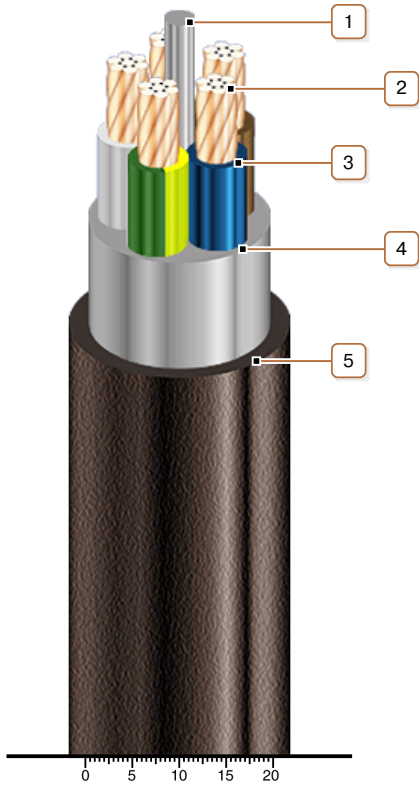
* Long permissible current loads are calculated for the following conditions: air temperature plus 25 °C, soil temperature plus 15 °C, thermal resistivity of soil 1.2 °K·m/W, laying depth in the soil 0.7 m

** The external diameter may differ from the rated up to ± 10 %



N2XY-J 5x16 RM-0.6/1 **DIN VDE 0276-603**

Power cables with copper conductors, XLPE-insulated, with PVC-compound outer sheath



CONSTRUCTION

1. *Filling harness*
2. *Copper multiwire conductor*
3. *XLPE insulation*
4. *PVC compound inner sheath*
5. *PVC compound outer sheath*