



## NYY-O 3x16 RM-0.6/1 DIN VDE 0276-603

Power cables with copper conductors, with PVC-compound insulation, with PVC-compound outer sheath

Cables are used for laying:

- *single laying*
- *in premises, dry ducts and tunnels, in corrosive environment*

Fire safety code in accordance with ДСТУ 4809:2007: ПБ100000000

Products of this mark meet the requirements:

- *single wire cable flame retardance*

### TECHNICAL SPECIFICATIONS

|                                                                          |                 |                 |
|--------------------------------------------------------------------------|-----------------|-----------------|
| Rated voltage                                                            | kV              | 1               |
| Number and rated area of conductors                                      | mm <sup>2</sup> | 3 x 16          |
| Phase insulation thickness                                               | mm              | 1               |
| Permissible continuous current rating (AC of industrial frequency) *     |                 |                 |
| • <i>by aerial laying</i>                                                | A               | 84              |
| • <i>by burial</i>                                                       | A               | 102             |
| Maximum permissible conductor temperature                                |                 |                 |
| • <i>Continuous</i>                                                      | °C              | +70             |
| • <i>in emergency operation</i>                                          | °C              | +90             |
| • <i>at short circuit</i>                                                | °C              | +160            |
| Operating temperature range                                              | °C              | -50 ... +50     |
| Minimum bending radius by laying                                         | mm              | 142.5           |
| Rated outer diameter of the cable (for reference) **                     | mm              | 19              |
| Cable weight (approximate)                                               | kg/km           | 808             |
| Rated factory cable length and gross weight of the delivery on the drums | m, t            | # 12: 910 • 0.8 |

Notes:

*When ordering it is necessary to agree the factory length of the product with the manufacturer*

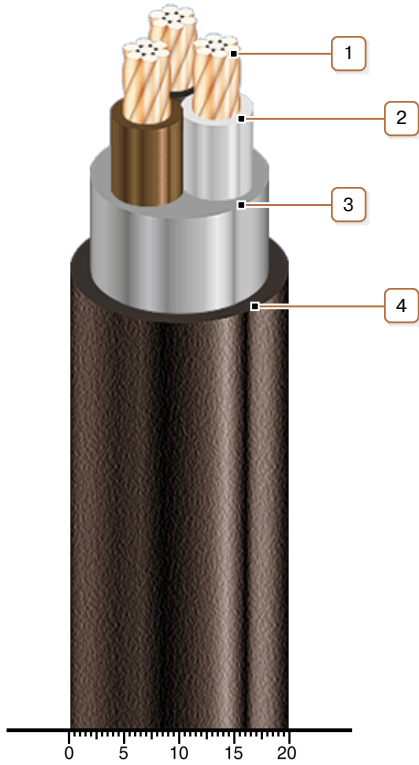
*\* Long permissible current loads are calculated for the following conditions: air temperature plus 25 °C, soil temperature plus 15 °C, thermal resistivity of soil 1.2 °K·m/W, laying depth in the soil 0.7 m*

*\*\* The external diameter may differ from the rated up to ± 10 %*



## **NYY-O 3x16 RM-0.6/1** **DIN VDE 0276-603**

Power cables with copper conductors, with PVC-compound insulation, with PVC-compound outer sheath



### **CONSTRUCTION**

1. *Copper multiwire conductor*
2. *PVC compound insulation*
3. *PVC compound inner sheath*
4. *PVC compound outer sheath*