



## ВВГнгд-К 3x240/120-1 ТУ У 31.3-00214534-048:2007

Power cables with copper conductors, with PVC compound insulation, with concentric conductor, with low fire-risk PVC-compound outer sheath

Cables are used for laying:

- in bunches
- in premises, dry ducts and tunnels, in corrosive environment
- in bunches, in crowded places
- in locations, where a high level of electrical protection is required

It is possible to manufacture armoured cable

Fire safety code in accordance with ДСТУ 4809:2007: ПБ123121000

Products of this mark meet the requirements:

- single wire cable flame retardance
- bunched cable flame retardance category A
- toxicity class Tk3 of the combustion products of nonmetallic elements (toxicity index over 120 g/m<sup>3</sup>)
- class ДТк1 on smoke-forming ability by smouldering of non-metallic elements (coefficient of smoke formation from 50 to 500 m<sup>2</sup>/kg)
- class ДПк2 on smoke-forming ability by combustion (minimum luminous flux more than 60 %)
- corrosive class Кк1 of combustion products of non-metallic elements (the number of halogen hydrides less than 150 mg/g, pH less than 4.3, specific conductivity more than 10 μS/mm)

### TECHNICAL SPECIFICATIONS

Rated voltage	kV	1
Number and rated area of conductors	mm <sup>2</sup>	3 x 240
Nominal cross-section area of concentric conductor	mm <sup>2</sup>	120
Phase insulation thickness	mm	2.2
Permissible continuous current rating (AC of industrial frequency) *		
• by aerial laying	A	472
• by burial	A	471
Maximum permissible conductor temperature		
• Continuous	°C	+70
• at short circuit	°C	+130
Operating temperature range	°C	-50 ... +50
Minimum bending radius by laying	mm	427.5
Rated outer diameter of the cable (for reference) **	mm	57
Cable weight (approximate)	kg/km	9580
Rated factory cable length and gross weight of the delivery on the drums ***	m, t	# 18: 340 • 3.7 # 20: 550 • 5.9

Notes:

When ordering it is necessary to agree the factory length of the product with the manufacturer

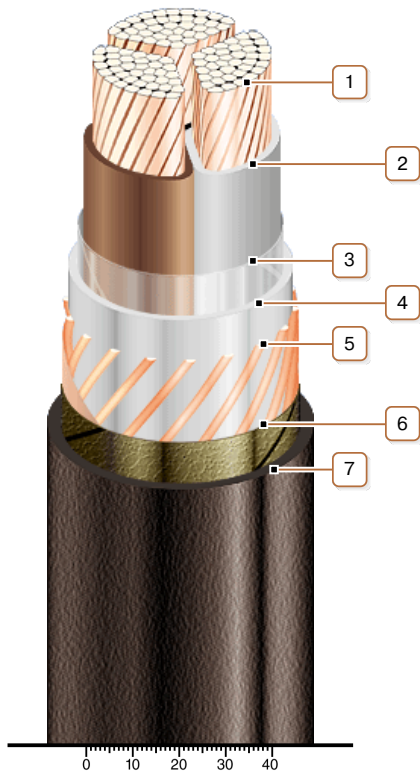
\* Long permissible current loads are calculated for the following conditions: air temperature plus 25 °C, soil temperature plus 15 °C, thermal resistivity of soil 1.2 °K·m/W, laying depth in the soil 0.7 m

\*\* The external diameter may differ from the rated up to ± 10 %



## **ВВГнгд-К 3x240/120-1** **ТУ У 31.3-00214534-048:2007**

Power cables with copper conductors, with PVC compound insulation, with concentric conductor, with low fire-risk PVC-compound outer sheath



### **CONSTRUCTION**

1. Copper multiwire compact conductor
2. Low fire-risk PVC compound insulation
3. PET film winding
4. Low fire-risk PVC-compound inner sheath
5. Concentric copper conductor
6. Lapping layer of nonwoven cloth tape
7. Low fire-risk PVC compound outer sheath

*Note: Conductor twisting is not illustrated*