



ВВГнг-К 4x95/50-1 ТУ У 31.3-00214534-048:2007

Power cables with copper conductors, with PVC compound insulation, with concentric conductor, with low-flammable PVC-compound protection hose

Cables are used for laying:

- *in bunches*
- *in premises, dry ducts and tunnels, in corrosive environment*
- *in locations, where a high level of electrical protection is required*

It is possible to manufacture armoured cable

Fire safety code in accordance with ДСТУ 4809:2007: ПБ120000000

Products of this mark meet the requirements:

- *single wire cable flame retardance*
- *bunched cable flame retardance category A*

TECHNICAL SPECIFICATIONS

Rated voltage	kV	1
Number and rated area of conductors	mm ²	4 x 95
Nominal cross-section area of concentric conductor	mm ²	50
Phase insulation thickness	mm	1.6
Permissible continuous current rating (AC of industrial frequency) *		
• <i>by aerial laying</i>	A	242
• <i>by burial</i>	A	259
Maximum permissible conductor temperature		
• <i>Continuous</i>	°C	+70
• <i>at short circuit</i>	°C	+160
Operating temperature range	°C	-50 ... +50
Minimum bending radius by laying	mm	360
Rated outer diameter of the cable (for reference) **	mm	48
Cable weight (approximate)	kg/km	5220
Rated factory cable length and gross weight of the delivery on the drums	m, t	# 18: 500 • 3.1 # 20: 800 • 4.8

Notes:

When ordering it is necessary to agree the factory length of the product with the manufacturer

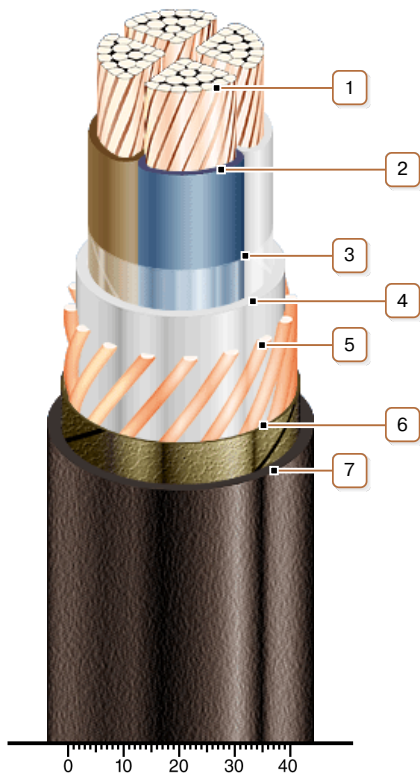
** Long permissible current loads are calculated during operation in four-wire networks with load in all the conductors for the following conditions: air temperature plus 25 °C, soil temperature plus 15 °C, thermal resistivity of soil 1.2 °K·m/W, laying depth in the soil 0.7 m*

*** The external diameter may differ from the rated up to ± 10 %*



ВВГнг-К 4x95/50-1 **ТУ У 31.3-00214534-048:2007**

Power cables with copper conductors, with PVC compound insulation, with concentric conductor, with low-flammable PVC-compound protection hose



CONSTRUCTION

1. Copper multiwire compact conductor
2. PVC compound insulation
3. PET film winding
4. PVC compound belt insulation
5. Concentric copper conductor
6. Lapping layer of nonwoven cloth tape
7. Low flammable PVC compound outer sheath

Note: Conductor twisting is not illustrated