



## АПВКВнг 4x70-1 ТУ У 31.3-00214534-016-2003

Power cables with aluminium conductors, XLPE-insulated, galvanized steel-wire armoured, with low-flammable PVC-compound outer sheath

Cables are used for laying:

- *in bunches*
- *in premises, dry ducts and tunnels, in corrosive environment*
- *in places, where intense tensile forces are possible (in cable lifting, in bulk, heaving, boggy, everfrost soils)*

Manufacturing of cables with a different number and different design of conductors is possible

Manufacturing of single-phase cables with aluminium-wire armour is possible

Fire safety code in accordance with ДСТУ 4809:2007: ПБ130000000

Products of this mark meet the requirements:

- *single wire cable flame retardance*
- *bunched cable flame retardance category B*

### TECHNICAL SPECIFICATIONS

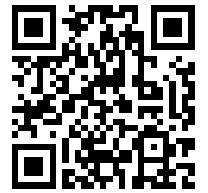
|  |                 |  |
|--|-----------------|--|
| Rated voltage  | kV              | 1  |
| Number and rated area of conductors  | mm <sup>2</sup> | 4 x 70   |
| Phase insulation thickness   | mm              | 1.1  |
| Armor wire diameter  | mm              | 2.2  |
| Permissible continuous current rating (AC of industrial frequency) *         |                 |  |
| • <i>by aerial laying</i>  | A               | 188  |
| • <i>by burial</i>   | A               | 181  |
| Maximum permissible conductor temperature                                    |                 |  |
| • <i>Continuous</i>  | °C              | +90  |
| • <i>at short circuit</i>  | °C              | +250   |
| Operating temperature range  | °C              | -50 ... +50  |
| Minimum bending radius by laying   | mm              | 352  |
| Rated outer diameter of the cable (for reference) **                         | mm              | 44   |
| Cable weight (approximate)   | kg/km           | 3330   |
| Rated factory cable length and gross weight of the delivery on the drums *** | m, t            | # 16a: 520 • 2.0<br># 18: 600 • 2.5<br># 20: 960 • 3.8 |

Notes:

*When ordering it is necessary to agree the factory length of the product with the manufacturer*

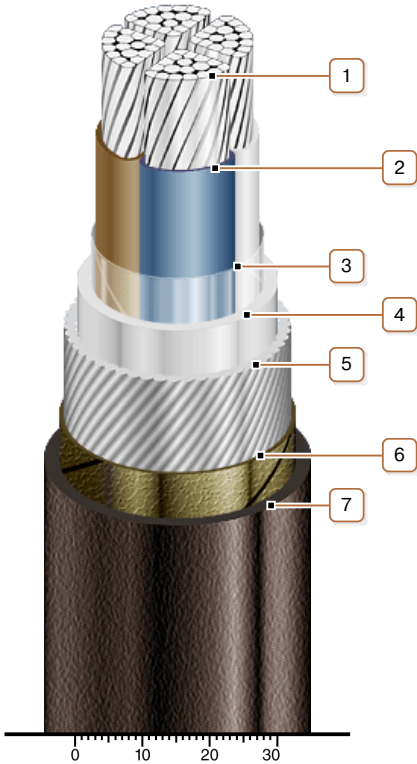
*\* Long permissible current loads are calculated during operation in four-wire networks with load in all the conductors for the following conditions: air temperature plus 25 °C, soil temperature plus 15 °C, thermal resistivity of soil 1.2 °K·m/W, laying depth in the soil 0.7 m*

*\*\* The external diameter may differ from the rated up to ± 10 %*



## АПВКВнг 4x70-1 ТУ У 31.3-00214534-016-2003

Power cables with aluminium conductors, XLPE-insulated, galvanized steel-wire armoured, with low-flammable PVC-compound outer sheath



### CONSTRUCTION

1. Aluminium multiwire compacted conductor

2. XLPE insulation

3. PET film winding

4. PVC compound belt insulation

5. Round galvanized steel-wire armour

*Note: Manufacturing of single-phase cables with aluminium-wire armour is possible*

6. Lapping layer of nonwoven cloth tape

7. Low flammable PVC compound outer sheath

*Note: Conductor twisting is not illustrated*