



## ПВЗКП 3x16-1 TY Y 31.3-00214534-016-2003

Power cables with copper conductors, XLPE-insulated, with filling of intermediate spaces between the conductors, round-steel-wire armoured, with polyethylene outer sheath

Cables are used for laying:

- in premises, tunnels, collectors, in soil (trenches), in corrosive environment
- in places, where intense tensile forces are possible (in cable lifting, in bulk, heaving, boggy, everfrost soils)
- in water at depth up to 10 m

Manufacturing of cables with a different number and different design of conductors is possible  
 Manufacturing of single-phase cables with aluminium-wire armour is possible

Fire safety code in accordance with ДСТУ 4809:2007: ПБ100000000

Products of this mark meet the requirements:

- single wire cable flame retardance

### TECHNICAL SPECIFICATIONS

|  |                 |                  |
|--|-----------------|------------------|
| Rated voltage  | kV              | 1                |
| Number and rated area of conductors  | mm <sup>2</sup> | 3 x 16           |
| Phase insulation thickness   | mm              | 0.7              |
| Armor wire diameter  | mm              | 1.4              |
| Permissible continuous current rating (AC of industrial frequency) *         |                 |                  |
| • by aerial laying   | A               | 104              |
| • by burial  | A               | 112              |
| Maximum permissible conductor temperature                                    |                 |                  |
| • Continuous   | °C              | +90              |
| • at short circuit   | °C              | +250             |
| Operating temperature range  | °C              | -60 ... +50      |
| Minimum bending radius by laying   | mm              | 132              |
| Rated outer diameter of the cable (for reference) **                         | mm              | 22               |
| Cable weight (approximate)   | kg/km           | 1190             |
| Rated factory cable length and gross weight of the delivery on the drums *** | m, t            | # 14: 1300 • 1.7 |

Notes:

When ordering it is necessary to agree the factory length of the product with the manufacturer

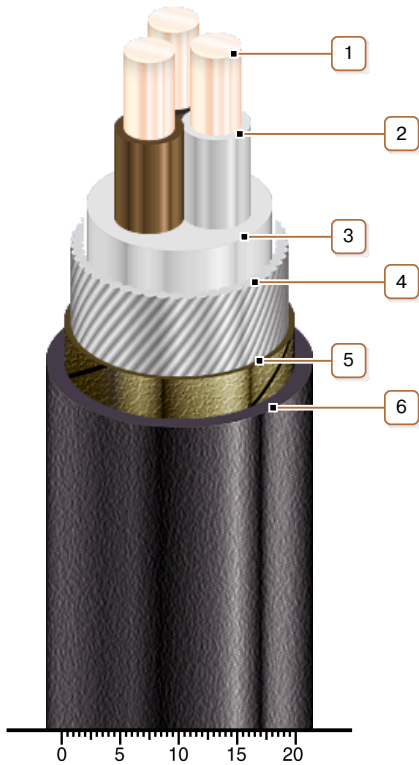
\* Long permissible current loads are calculated for the following conditions: air temperature plus 25 °C, soil temperature plus 15 °C, thermal resistivity of soil 1.2 °K·m/W, laying depth in the soil 0.7 m

\*\* The external diameter may differ from the rated up to ± 10 %



**ПВЗКП 3x16-1**  
**ТУ У 31.3-00214534-016-2003**

Power cables with copper conductors, XLPE-insulated, with filling of intermediate spaces between the conductors, round-steel-wire armoured, with polyethylene outer sheath



**CONSTRUCTION**

1. Copper conductor
2. XLPE insulation
3. PVC compound belt insulation
4. Round galvanized steel-wire armour  
*Note: Manufacturing of single-phase cables with aluminium-wire armour is possible*
5. Lapping layer of nonwoven cloth tape
6. Polyethylene outer sheath

*Note: Conductor twisting is not illustrated*