

## BKB 5x50-1 TY Y 31.3-00214534-016-2003

Power cables with copper conductors, with PVC-compound insulation, galvanized steel-wire armoured, with PVC-compound outer sheath

Cables are used for laying:

- *single laying*
- *in premises, dry ducts and tunnels, in corrosive environment*
- *in places, where intense tensile forces are possible (in cable lifting, in bulk, heaving, boggy, everfrost soils)*

Manufacturing of cables with a different number and different design of conductors is possible  
 Manufacturing of single-phase cables with aluminium-wire armour is possible

Fire safety code in accordance with ДСТУ 4809:2007: ПБ100000000

Products of this mark meet the requirements:

- *single wire cable flame retardance*

### TECHNICAL SPECIFICATIONS

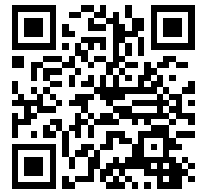
Rated voltage	kV	1
Number and rated area of conductors	mm <sup>2</sup>	5 x 50
Phase insulation thickness	mm	1.4
Armor wire diameter	mm	1.8
Permissible continuous current rating (AC of industrial frequency) *		
• <i>by aerial laying</i>	A	155
• <i>by burial</i>	A	173
Maximum permissible conductor temperature		
• <i>Continuous</i>	°C	+70
• <i>at short circuit</i>	°C	+160
Operating temperature range	°C	-50 ... +50
Minimum bending radius by laying	mm	240
Rated outer diameter of the cable (for reference) **	mm	40
Cable weight (approximate)	kg/km	3990
Rated factory cable length and gross weight of the delivery on the drums ***	m, t	# 16a: 630 • 2.8 # 18: 720 • 3.3 # 20: 1160 • 5.3

Notes:

*When ordering it is necessary to agree the factory length of the product with the manufacturer*

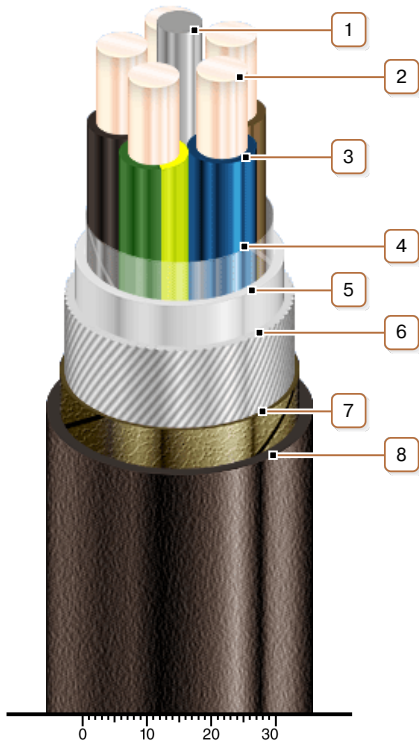
*\* Long permissible current loads are calculated for the following conditions: air temperature plus 25 °C, soil temperature plus 15 °C, thermal resistivity of soil 1.2 °K·m/W, laying depth in the soil 0.7 m*

*\*\* The external diameter may differ from the rated up to ± 10 %*



## **BKB 5x50-1** **TY Y 31.3-00214534-016-2003**

Power cables with copper conductors, with PVC-compound insulation, galvanized steel-wire armoured, with PVC-compound outer sheath



### **CONSTRUCTION**

1. PVC compound bundle
2. Copper conductor
3. PVC compound insulation
4. PET film winding
5. PVC compound belt insulation
6. Round galvanized steel-wire armour  
*Note: Manufacturing of single-phase cables with aluminium-wire armour is possible*
7. Lapping layer of nonwoven cloth tape
8. PVC compound outer sheath

*Note: Conductor twisting is not illustrated*