



ВКБШвнг 4x1.5-1 ТУ У 31.3-00214534-057:2007

Power cables with copper conductors, with PVC-compound insulation, galvanized steel-wire armoured, with low-flammable PVC-compound protection hose

Cables are used for laying:

- *in bunches*
- *in premises, dry ducts and tunnels, in corrosive environment*
- *in places, where small mechanical impacts on cable are possible, including tensile forces*

It is possible manufacturing of cables in cold-resistant performance (ВКБШвнг-ХЛ)

It is possible manufacturing of cables of low fire risk (ВКБШнгд), including fire-resistant (ВКБШнгд-FR) and cold-resistant (ВКБШнгд-ХЛ)

It is possible manufacturing of cables with polymer compound sheath, halogen-free (ВКБПнг-НФ), including fire-resistant (ВКБПнг-FRHF)

Fire safety code in accordance with ДСТУ 4809:2007: ПБ120000000

Products of this mark meet the requirements:

- *single wire cable flame retardance*
- *bunched cable flame retardance category A*

TECHNICAL SPECIFICATIONS

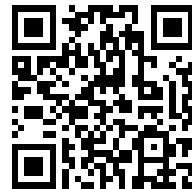
Rated voltage	kV	1
Number and rated area of conductors	mm ²	4 x 1.5
Phase insulation thickness	mm	0.8
Armor wire diameter	mm	0.3
Permissible continuous current rating (AC of industrial frequency) *		
• <i>by aerial laying</i>	A	19
• <i>by burial</i>	A	25
Maximum permissible conductor temperature		
• <i>Continuous</i>	°C	+70
• <i>in emergency operation</i>	°C	+80
• <i>at short circuit</i>	°C	+160
Operating temperature range	°C	-40 ... +50
Minimum bending radius by laying	mm	97.5
Rated outer diameter of the cable (for reference) **	mm	13
Cable weight (approximate)	kg/km	260
Rated factory cable length and gross weight of the delivery on the drums	m, t	# 10: 1410 • 0.4

Notes:

When ordering it is necessary to agree the factory length of the product with the manufacturer

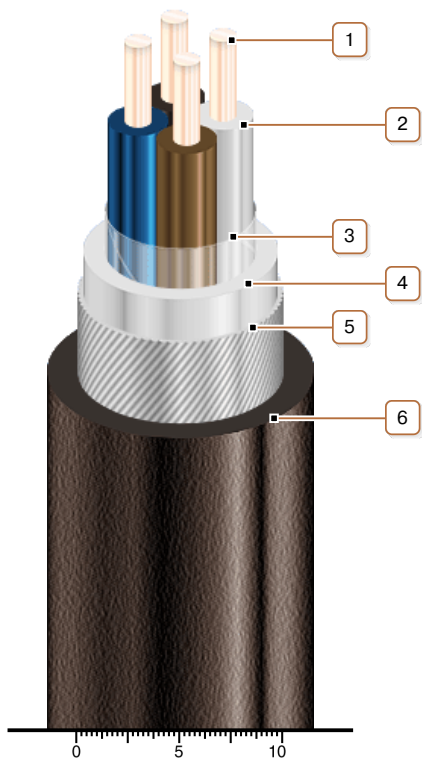
* Long permissible current loads are calculated during operation in four-wire networks with load in all the conductors for the following conditions: air temperature plus 25 °C, soil temperature plus 15 °C, thermal resistivity of soil 1.2 °K·m/W, laying depth in the soil 0.7 m

** The external diameter may differ from the rated up to ± 10 %



ВК6Швнг 4x1.5-1 ТУ У 31.3-00214534-057:2007

Power cables with copper conductors, with PVC-compound insulation, galvanized steel-wire armoured, with low-flammable PVC-compound protection hose



CONSTRUCTION

1. Copper conductor
2. PVC compound insulation
3. PET film winding
4. PVC compound belt insulation
5. Round galvanized steel-wire armour
6. Pressed off low-flammable PVC compound protection hose

Note: Conductor twisting is not illustrated