



## АПВГнг 1х25 (ож)-1 ТУ У 31.3-00214534-018-2003

Power cables with aluminium conductors, XLPE-insulated, with low-flammable PVC-compound outer sheath

Cables are used for laying:

- *in bunches*
- *in premises, dry ducts and tunnels, in corrosive environment*

Fire safety code in accordance with ДСТУ 4809:2007: ПБ120000000

Products of this mark meet the requirements:

- *single wire cable flame retardance*
- *bunched cable flame retardance category A*

### TECHNICAL SPECIFICATIONS

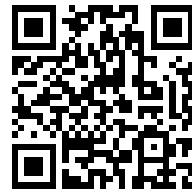
Rated voltage	kV	1
Number and rated area of conductors	mm <sup>2</sup>	1 x 25
Phase insulation thickness	mm	0.9
Permissible continuous current rating (AC of industrial frequency) *		
• <i>by aerial laying</i>	A	112
• <i>by burial</i>	A	114
Permissible continuous current rating (DC) *		
• <i>by aerial laying</i>	A	144
• <i>by burial</i>	A	176
Maximum permissible conductor temperature		
• <i>Continuous</i>	°C	+90
• <i>in emergency operation</i>	°C	+130
• <i>at short circuit</i>	°C	+250
Operating temperature range	°C	-50 ... +50
Minimum bending radius by laying	mm	120
Rated outer diameter of the cable (for reference) **	mm	12
Cable weight (approximate)	kg/km	160
Rated factory cable length and gross weight of the delivery on the drums ***	m, t	# 10: 1650 • 0.3

Notes:

*When ordering it is necessary to agree the factory length of the product with the manufacturer*

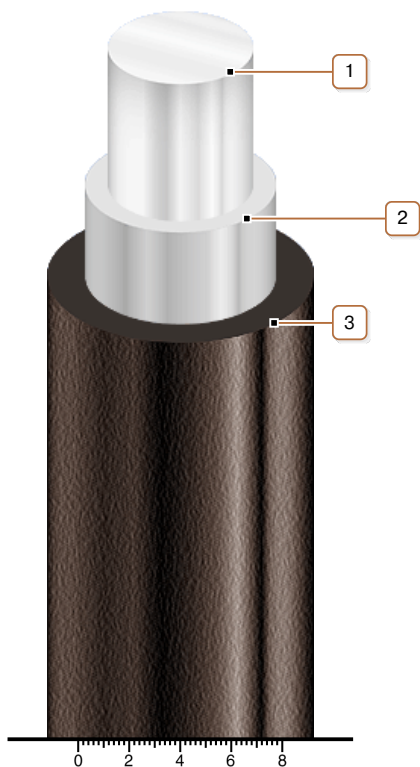
\* Long permissible current loads are calculated for the following conditions: air temperature plus 25 °C, soil temperature plus 15 °C, thermal resistivity of soil 1.2 °K·m/W, laying depth in the soil 0.7 m

\*\* The external diameter may differ from the rated up to ± 10 %



## АПВГнг 1х25 (ож)-1 ТУ У 31.3-00214534-018-2003

Power cables with aluminium conductors, XLPE-insulated, with low-flammable PVC-compound outer sheath



### CONSTRUCTION

1. Aluminium conductor
2. XLPE insulation
3. Low flammable PVC compound outer sheath