



## АПВВГ 1x6 (ож)-1 ГОСТ 16442-80, ТУ У 31.3-00214534-048:2007

Power cables with aluminium conductors, XLPE-insulated, with PVC-compound outer sheath

Cables are used for laying:

- *single laying*
- *in premises, dry ducts and tunnels, in corrosive environment*

Fire safety code in accordance with ДСТУ 4809:2007: ПБ100000000

Products of this mark meet the requirements:

- *single wire cable flame retardance*

### TECHNICAL SPECIFICATIONS

|  |                 |             |
|--|-----------------|-------------|
| Rated voltage  | kV              | 1           |
| Number and rated area of conductors                                  | mm <sup>2</sup> | 1 x 6       |
| Phase insulation thickness   | mm              | 0.7         |
| Permissible continuous current rating (AC of industrial frequency) * |                 |             |
| • <i>by aerial laying</i>  | A               | 43          |
| • <i>by burial</i>   | A               | 54          |
| Permissible continuous current rating (DC) *                         |                 |             |
| • <i>by aerial laying</i>  | A               | 59          |
| • <i>by burial</i>   | A               | 59          |
| Maximum permissible conductor temperature                            |                 |             |
| • <i>Continuous</i>  | °C              | +90         |
| • <i>in emergency operation</i>                                      | °C              | +130        |
| • <i>at short circuit</i>  | °C              | +250        |
| Operating temperature range  | °C              | -50 ... +50 |
| Minimum bending radius by laying                                     | mm              | 80          |
| Rated outer diameter of the cable (for reference) **                 | mm              | 8           |
| Cable weight (approximate)   | kg/km           | 60          |

Notes:

*When ordering it is necessary to agree the factory length of the product with the manufacturer*

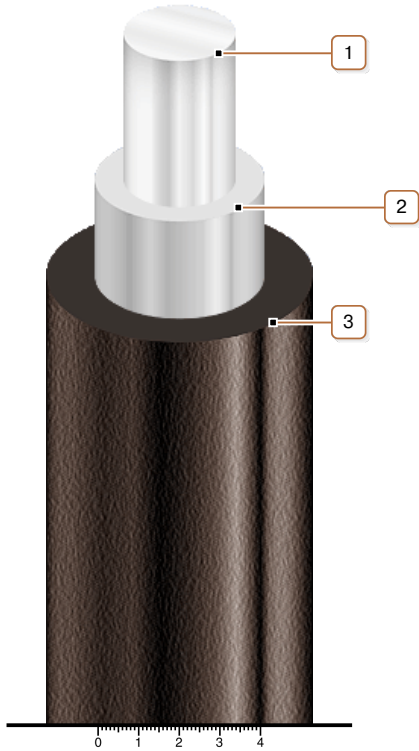
\* *Long permissible current loads are calculated for the following conditions: air temperature plus 25 °C, soil temperature plus 15 °C, thermal resistivity of soil 1.2 °K·m/W, laying depth in the soil 0.7 m*

\*\* *The external diameter may differ from the rated up to ± 10 %*



## АПВГ 1х6 (ож)-1 ГОСТ 16442-80,ТУ У 31.3-00214534-048:2007

Power cables with aluminium conductors, XLPE-insulated, with PVC-compound outer sheath



### CONSTRUCTION

1. Aluminium conductor
2. XLPE insulation
3. PVC compound outer sheath