



## ПВБВнг 3х185-1 ТУ У 31.3-00214534-018-2003

Power cables with copper conductors, XLPE-insulated, galvanized steel-tape armoured, with low-flammable PVC-compound outer sheath

Cables are used for laying:

- *in bunches*
- *in premises, dry ducts and tunnels, in corrosive environment*
- *in places, where small mechanical impacts on cable are possible, including tensile forces*

Manufacturing of cable with PVC compound belt insulation is possible

Fire safety code in accordance with ДСТУ 4809:2007: ПБ120000000

Products of this mark meet the requirements:

- *single wire cable flame retardance*
- *bunched cable flame retardance category A*

### TECHNICAL SPECIFICATIONS

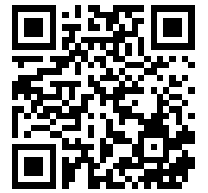
Rated voltage	kV	1
Number and rated area of conductors	mm <sup>2</sup>	3 x 185
Phase insulation thickness	mm	1.6
Permissible continuous current rating (AC of industrial frequency) *		
• <i>by aerial laying</i>	A	504
• <i>by burial</i>	A	442
Maximum permissible conductor temperature		
• <i>Continuous</i>	°C	+90
• <i>in emergency operation</i>	°C	+130
• <i>at short circuit</i>	°C	+250
Operating temperature range	°C	-50 ... +50
Minimum bending radius by laying	mm	367.5
Rated outer diameter of the cable (for reference) **	mm	49
Cable weight (approximate)	kg/km	6390
Rated factory cable length and gross weight of the delivery on the drums	m, t	# 18: 460 • 3.4 # 20: 740 • 5.4

Notes:

When ordering it is necessary to agree the factory length of the product with the manufacturer

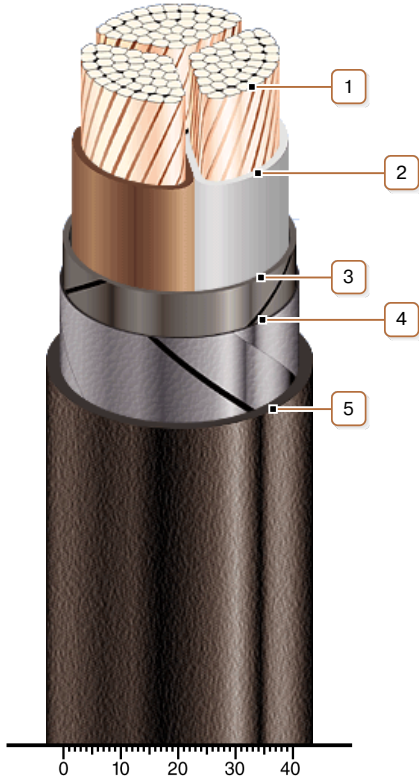
\* Long permissible current loads are calculated for the following conditions: air temperature plus 25 °C, soil temperature plus 15 °C, thermal resistivity of soil 1.2 °K·m/W, laying depth in the soil 0.7 m

\*\* The external diameter may differ from the rated up to ± 10 %



**ПвБВнг 3x185-1**  
**ТУ У 31.3-00214534-018-2003**

Power cables with copper conductors, XLPE-insulated, galvanized steel-tape armoured, with low-flammable PVC-compound outer sheath



**CONSTRUCTION**

1. Copper multiwire compact conductor
2. XLPE insulation
3. Tape core wrapping
4. Double galvanized steel-tape armour
5. Low flammable PVC compound outer sheath

*Note: Conductor twisting is not illustrated*