



## ПВБВнг 3х1.5-1 ТУ У 31.3-00214534-018-2003

Power cables with copper conductors, XLPE-insulated, galvanized steel-tape armoured, with low-flammable PVC-compound outer sheath

Cables are used for laying:

- *in bunches*
- *in premises, dry ducts and tunnels, in corrosive environment*
- *in places, where small mechanical impacts on cable are possible, including tensile forces*

Fire safety code in accordance with ДСТУ 4809:2007: ПБ120000000

Products of this mark meet the requirements:

- *single wire cable flame retardance*
- *bunched cable flame retardance category A*

### TECHNICAL SPECIFICATIONS

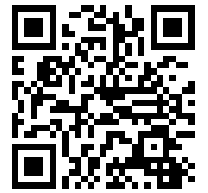
|  |                 |                  |
|--|-----------------|------------------|
| Rated voltage  | kV              | 1                |
| Number and rated area of conductors                                      | mm <sup>2</sup> | 3 x 1.5          |
| Phase insulation thickness   | mm              | 0.7              |
| Permissible continuous current rating (AC of industrial frequency) *     |                 |                  |
| • <i>by aerial laying</i>  | A               | 25               |
| • <i>by burial</i>   | A               | 31               |
| Maximum permissible conductor temperature                                |                 |                  |
| • <i>Continuous</i>  | °C              | +90              |
| • <i>in emergency operation</i>  | °C              | +130             |
| • <i>at short circuit</i>  | °C              | +250             |
| Operating temperature range  | °C              | -50 ... +50      |
| Minimum bending radius by laying   | mm              | 120              |
| Rated outer diameter of the cable (for reference) **                     | mm              | 16               |
| Cable weight (approximate)   | kg/km           | 330              |
| Rated factory cable length and gross weight of the delivery on the drums | m, t            | # 12: 1280 • 0.5 |

Notes:

*When ordering it is necessary to agree the factory length of the product with the manufacturer*

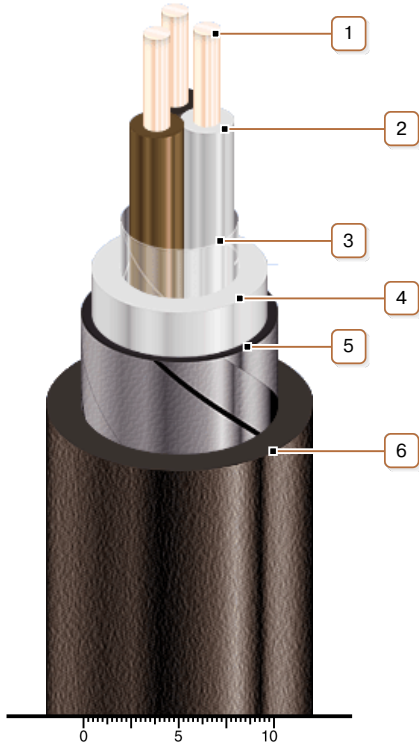
\* *Long permissible current loads are calculated for the following conditions: air temperature plus 25 °C, soil temperature plus 15 °C, thermal resistivity of soil 1.2 °K·m/W, laying depth in the soil 0.7 m*

\*\* *The external diameter may differ from the rated up to ± 10 %*



## ПвБВнг 3x1.5-1 ТУ У 31.3-00214534-018-2003

Power cables with copper conductors, XLPE-insulated, galvanized steel-tape armoured, with low-flammable PVC-compound outer sheath



### CONSTRUCTION

1. Copper conductor
2. XLPE insulation
3. PET film winding
4. PVC compound belt insulation
5. Double galvanized steel-tape armour
6. Low flammable PVC compound outer sheath

Note: Conductor twisting is not illustrated