



## АПВБВнг 3x240+1x120 (ож)-1 ТУ У 31.3-00214534-018-2003

Power cables with aluminium conductors, XLPE-insulated, galvanized steel-tape armoured, with low-flammable PVC-compound outer sheath

Cables are used for laying:

- *in bunches*
- *in premises, dry ducts and tunnels, in corrosive environment*
- *in places, where small mechanical impacts on cable are possible, including tensile forces*

Manufacturing of cable with multiwire conductors (main and additional one) is possible

Manufacturing of cable with PVC compound belt insulation is possible

Fire safety code in accordance with ДСТУ 4809:2007: ПБ120000000

Products of this mark meet the requirements:

- *single wire cable flame retardance*
- *bunched cable flame retardance category A*

### TECHNICAL SPECIFICATIONS

Rated voltage	kV	1
Number and rated area of conductors	mm <sup>2</sup>	3 x 240 + 1 x 120
Phase insulation thickness	mm	1.7
Permissible continuous current rating (AC of industrial frequency) *		
• <i>by aerial laying</i>	A	453
• <i>by burial</i>	A	397
Maximum permissible conductor temperature		
• <i>Continuous</i>	°C	+90
• <i>in emergency operation</i>	°C	+130
• <i>at short circuit</i>	°C	+250
Operating temperature range	°C	-50 ... +50
Minimum bending radius by laying	mm	412.5
Rated outer diameter of the cable (for reference) **	mm	55
Cable weight (approximate)	kg/km	3870
Rated factory cable length and gross weight of the delivery on the drums ***	m, t	# 18: 370 · 1.9 # 20: 590 · 2.9

Notes:

*When ordering it is necessary to agree the factory length of the product with the manufacturer*

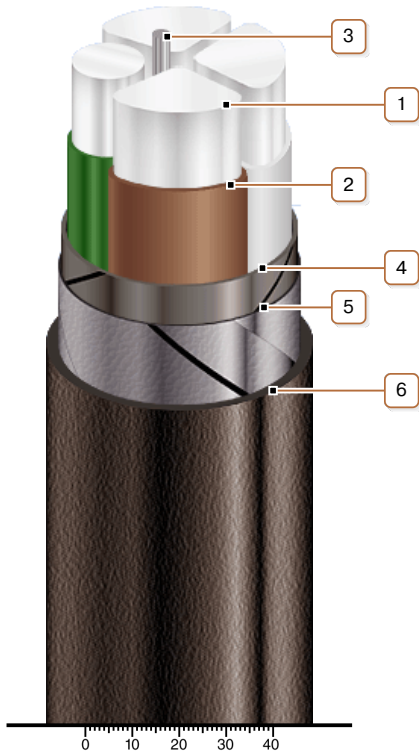
*\* Long permissible current loads are calculated for the following conditions: air temperature plus 25 °C, soil temperature plus 15 °C, thermal resistivity of soil 1.2 °K·m/W, laying depth in the soil 0.7 m*

*\*\* The external diameter may differ from the rated up to ± 10 %*



## АПвБВнг 3x240+1x120 (ож)-1 ТУ У 31.3-00214534-018-2003

Power cables with aluminium conductors, XLPE-insulated, galvanized steel-tape armoured, with low-flammable PVC-compound outer sheath



### CONSTRUCTION

1. Aluminium conductor
2. XLPE insulation
3. PVC compound bundle
4. Tape core wrapping
5. Double galvanized steel-tape armour
6. Low flammable PVC compound outer sheath

Note: Conductor twisting is not illustrated