

АПВБНг 1x400-1 ТУ У 31.3-00214534-018-2003

Power cables with aluminium conductors, XLPE-insulated, galvanized steel-tape armoured, with low-flammable PVC-compound outer sheath

Cables are used for laying:

- *in bunches*
- *in premises, dry ducts and tunnels, in corrosive environment*
- *in places, where small mechanical impacts on cable are possible, including tensile forces*

Manufacturing of cable with PVC compound belt insulation is possible

Fire safety code in accordance with ДСТУ 4809:2007: ПБ120000000

Products of this mark meet the requirements:

- *single wire cable flame retardance*
- *bunched cable flame retardance category A*

TECHNICAL SPECIFICATIONS

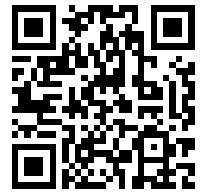
Rated voltage	kV	1
Number and rated area of conductors	mm ²	1 x 400
Phase insulation thickness	mm	2
Permissible continuous current rating (AC of industrial frequency) *		
• <i>by aerial laying</i>	A	682
• <i>by burial</i>	A	523
Permissible continuous current rating (DC) *		
• <i>by aerial laying</i>	A	871
• <i>by burial</i>	A	822
Maximum permissible conductor temperature		
• <i>Continuous</i>	°C	+90
• <i>in emergency operation</i>	°C	+130
• <i>at short circuit</i>	°C	+250
Operating temperature range	°C	-50 ... +50
Minimum bending radius by laying	mm	370
Rated outer diameter of the cable (for reference) **	mm	37
Cable weight (approximate)	kg/km	1880
Rated factory cable length and gross weight of the delivery on the drums ***	m, t	# 16a: 700 • 1.6 # 18: 800 • 2.0

Notes:

When ordering it is necessary to agree the factory length of the product with the manufacturer

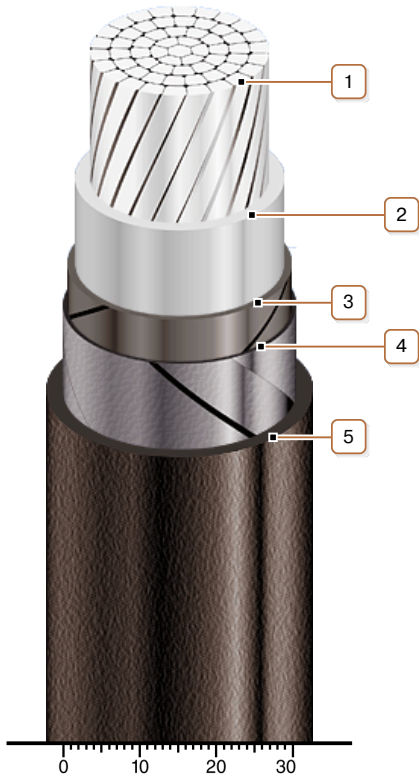
* *Long permissible current loads are calculated for the following conditions: air temperature plus 25 °C, soil temperature plus 15 °C, thermal resistivity of soil 1.2 °K·m/W, laying depth in the soil 0.7 m*

** *The external diameter may differ from the rated up to ± 10 %*



АПвБВнг 1х400-1 ТУ У 31.3-00214534-018-2003

Power cables with aluminium conductors, XLPE-insulated, galvanized steel-tape armoured, with low-flammable PVC-compound outer sheath



CONSTRUCTION

1. Aluminium multiwire compacted conductor
2. XLPE insulation
3. Tape core wrapping
4. Double galvanized steel-tape armour
5. Low flammable PVC compound outer sheath