



АПвБ6Шв 4x35 (ож)-1 ГОСТ 16442-80, ТУ У 31.3-00214534-048:2007

Power cables with aluminium conductors, XLPE-insulated, galvanized steel-tape armoured, with PVC-compound protection hose

Cables are used for laying:

- *single laying*
- *in premises, dry ducts and tunnels, in corrosive environment*
- *in places, where small mechanical impacts on cable are possible, including tensile forces*

Manufacturing of cable with multiwire conductors is possible

Manufacturing of non-galvanized armoured cable, covered with a layer of bitumen and PET film is possible

Manufacturing of cable with tape belt insulation is possible

Fire safety code in accordance with ДСТУ 4809:2007: ПБ100000000

Products of this mark meet the requirements:

- *single wire cable flame retardance*

TECHNICAL SPECIFICATIONS

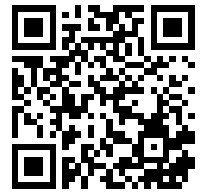
| | | |
|--|-----------------|--------------------------------------|
| Rated voltage | kV | 1 |
| Number and rated area of conductors | mm ² | 4 x 35 |
| Phase insulation thickness | mm | 0.9 |
| Permissible continuous current rating (AC of industrial frequency) * | | |
| • <i>by aerial laying</i> | A | 124 |
| • <i>by burial</i> | A | 125 |
| Maximum permissible conductor temperature | | |
| • <i>Continuous</i> | °C | +90 |
| • <i>in emergency operation</i> | °C | +130 |
| • <i>at short circuit</i> | °C | +250 |
| Operating temperature range | °C | -50 ... +50 |
| Minimum bending radius by laying | mm | 225 |
| Rated outer diameter of the cable (for reference) ** | mm | 30 |
| Cable weight (approximate) | kg/km | 1020 |
| Rated factory cable length and gross weight of the delivery on the drums | m, t | # 14: 700 • 0.9 # 16a: 1120 • 1.4 |

Notes:

When ordering it is necessary to agree the factory length of the product with the manufacturer

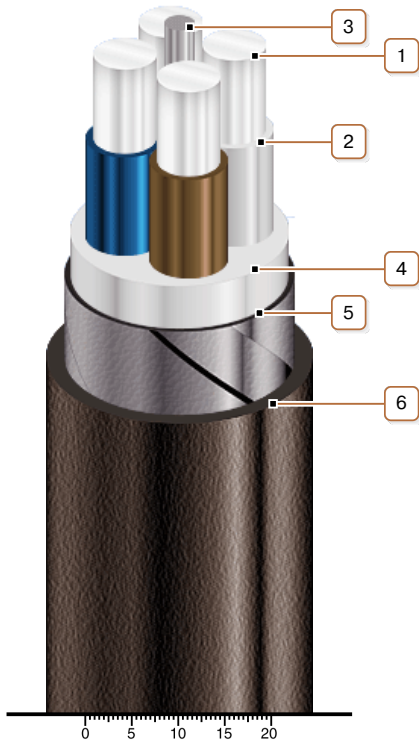
** Long permissible current loads are calculated during operation in four-wire networks with load in all the conductors for the following conditions: air temperature plus 25 °C, soil temperature plus 15 °C, thermal resistivity of soil 1.2 °K·m/W, laying depth in the soil 0.7 m*

*** The external diameter may differ from the rated up to ± 10 %*



АПвБ6Шв 4x35 (ож)-1 ГОСТ 16442-80, ТУ У 31.3-00214534-048:2007

Power cables with aluminium conductors, XLPE-insulated, galvanized steel-tape armoured, with PVC-compound protection hose



CONSTRUCTION

1. Aluminium conductor
2. XLPE insulation
3. PVC compound bundle
4. PVC compound belt insulation
5. Double galvanized steel-tape armour
6. Pressed PVC compound protection hose

Note: Conductor twisting is not illustrated