



АПвБ6Шв 3x240+1x120 (ож)-1 ГОСТ 16442-80, ТУ У 31.3-00214534-048:2007

Power cables with aluminium conductors, XLPE-insulated, galvanized steel-tape armoured, with PVC-compound protection hose

Cables are used for laying:

- *single laying*
- *in premises, dry ducts and tunnels, in corrosive environment*
- *in places, where small mechanical impacts on cable are possible, including tensile forces*

Manufacturing of cable with multiwire conductors (main and additional one) is possible

Manufacturing of non-galvanized armoured cable, covered with a layer of bitumen and PET film is possible

Manufacturing of cable with PVC compound belt insulation is possible

Fire safety code in accordance with ДСТУ 4809:2007: ПБ100000000

Products of this mark meet the requirements:

- *single wire cable flame retardance*

TECHNICAL SPECIFICATIONS

Rated voltage	kV	1
Number and rated area of conductors	mm ²	3 x 240 + 1 x 120
Phase insulation thickness	mm	1.7
Permissible continuous current rating (AC of industrial frequency) *		
• <i>by aerial laying</i>	A	453
• <i>by burial</i>	A	397
Maximum permissible conductor temperature		
• <i>Continuous</i>	°C	+90
• <i>in emergency operation</i>	°C	+130
• <i>at short circuit</i>	°C	+250
Operating temperature range	°C	-50 ... +50
Minimum bending radius by laying	mm	412.5
Rated outer diameter of the cable (for reference) **	mm	55
Cable weight (approximate)	kg/km	3900
Rated factory cable length and gross weight of the delivery on the drums ***	m, t	# 18: 370 • 1.9 # 20: 590 • 2.9

Notes:

When ordering it is necessary to agree the factory length of the product with the manufacturer

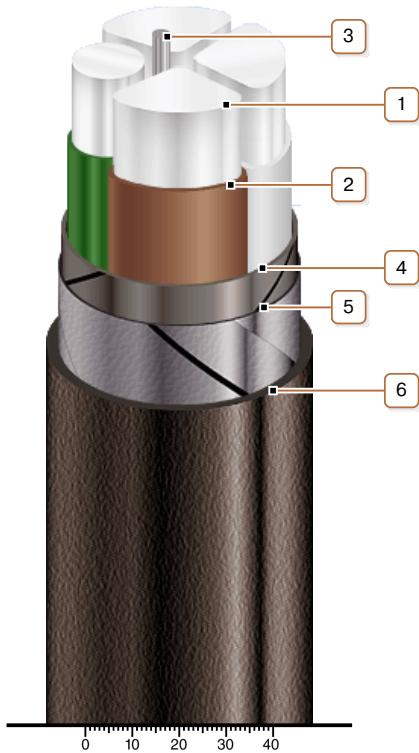
** Long permissible current loads are calculated for the following conditions: air temperature plus 25 °C, soil temperature plus 15 °C, thermal resistivity of soil 1.2 °K·m/W, laying depth in the soil 0.7 m*

*** The external diameter may differ from the rated up to ± 10 %*



АПвБ6Шв 3x240+1x120 (ож)-1 ГОСТ 16442-80, ТУ У 31.3-00214534-048:2007

Power cables with aluminium conductors, XLPE-insulated, galvanized steel-tape armoured, with PVC-compound protection hose



CONSTRUCTION

1. Aluminium conductor
2. XLPE insulation
3. PVC compound bundle
4. Tape core wrapping
5. Double galvanized steel-tape armour
6. Pressed PVC compound protection hose

Note: Conductor twisting is not illustrated