



## BBГз 4x35-1 TY Y 31.3-00214534-048:2007

Power cables with copper conductors, with PVC-compound insulation, with PVC-compound outer sheath

Cables are used for laying:

- *single laying*
- *in premises, dry ducts and tunnels, in corrosive environment*

Manufacturing of cable with multiwire conductors is possible

Fire safety code in accordance with ДСТУ 4809:2007: ПБ100000000

Products of this mark meet the requirements:

- *single wire cable flame retardance*

### TECHNICAL SPECIFICATIONS

|  |                 |                 |
|--|-----------------|-----------------|
| Rated voltage  | kV              | 1               |
| Number and rated area of conductors  | mm <sup>2</sup> | 4 x 35          |
| Phase insulation thickness   | mm              | 1.2             |
| Permissible continuous current rating (AC of industrial frequency) *         |                 |                 |
| • <i>by aerial laying</i>  | A               | 127             |
| • <i>by burial</i>   | A               | 146             |
| Maximum permissible conductor temperature                                    |                 |                 |
| • <i>Continuous</i>  | °C              | +70             |
| • <i>in emergency operation</i>  | °C              | +90             |
| • <i>at short circuit</i>  | °C              | +160            |
| Operating temperature range  | °C              | -50 ... +50     |
| Minimum bending radius by laying   | mm              | 217.5           |
| Rated outer diameter of the cable (for reference) **                         | mm              | 29              |
| Cable weight (approximate)   | kg/km           | 1870            |
| Rated factory cable length and gross weight of the delivery on the drums *** | m, t            | # 14: 700 • 1.5 |

Notes:

When ordering it is necessary to agree the factory length of the product with the manufacturer

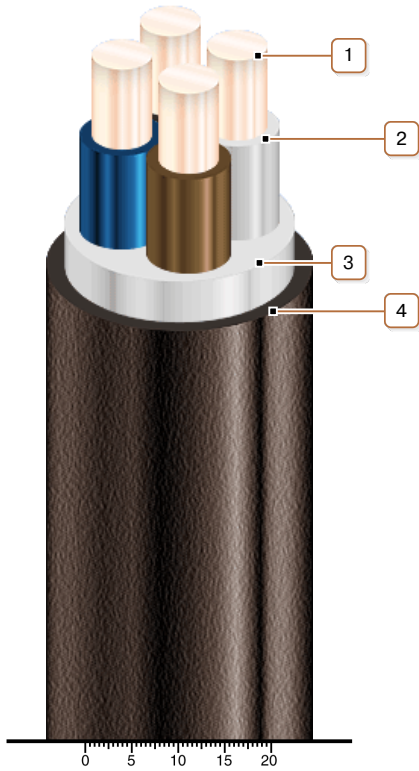
\* Long permissible current loads are calculated during operation in four-wire networks with load in all the conductors for the following conditions: air temperature plus 25 °C, soil temperature plus 15 °C, thermal resistivity of soil 1.2 °K·m/W, laying depth in the soil 0.7 m

\*\* The external diameter may differ from the rated up to ± 10 %



## **BBГз 4x35-1** **TY Y 31.3-00214534-048:2007**

Power cables with copper conductors, with PVC-compound insulation, with PVC-compound outer sheath



### **CONSTRUCTION**

1. *Copper conductor*
2. *PVC compound insulation*
3. *PVC compound belt insulation*
4. *PVC compound outer sheath*

*Note: Conductor twisting is not illustrated*