



## АВВГз 4x25 (ож)-1 ГОСТ 16442-80, ТУ У 31.3-00214534-048:2007

Power cables with aluminium conductors, with PVC-compound insulation, with PVC-compound outer sheath

Cables are used for laying:

- *single laying*
- *in premises, dry ducts and tunnels, in corrosive environment*

Fire safety code in accordance with ДСТУ 4809:2007: ПБ100000000

Products of this mark meet the requirements:

- *single wire cable flame retardance*

### TECHNICAL SPECIFICATIONS

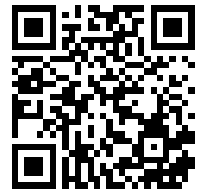
|  |                 |                 |
|--|-----------------|-----------------|
| Rated voltage  | kV              | 1               |
| Number and rated area of conductors  | mm <sup>2</sup> | 4 x 25          |
| Phase insulation thickness   | mm              | 1.2             |
| Permissible continuous current rating (AC of industrial frequency) *         |                 |                 |
| • <i>by aerial laying</i>  | A               | 80              |
| • <i>by burial</i>   | A               | 94              |
| Maximum permissible conductor temperature                                    |                 |                 |
| • <i>Continuous</i>  | °C              | +70             |
| • <i>in emergency operation</i>  | °C              | +90             |
| • <i>at short circuit</i>  | °C              | +160            |
| Operating temperature range  | °C              | -50 ... +50     |
| Minimum bending radius by laying   | mm              | 202.5           |
| Rated outer diameter of the cable (for reference) **                         | mm              | 27              |
| Cable weight (approximate)   | kg/km           | 860             |
| Rated factory cable length and gross weight of the delivery on the drums *** | m, t            | # 14: 800 • 0.9 |

Notes:

*When ordering it is necessary to agree the factory length of the product with the manufacturer*

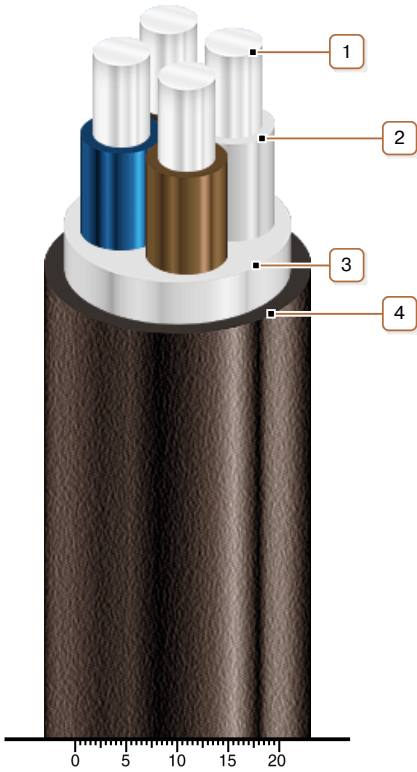
\* Long permissible current loads are calculated during operation in four-wire networks with load in all the conductors for the following conditions: air temperature plus 25 °C, soil temperature plus 15 °C, thermal resistivity of soil 1.2 °K·m/W, laying depth in the soil 0.7 m

\*\* The external diameter may differ from the rated up to ± 10 %



**АВВГз 4x25 (ож)-1**  
**ГОСТ 16442-80, ТУ У 31.3-00214534-048:2007**

Power cables with aluminium conductors, with PVC-compound insulation, with PVC-compound outer sheath



### CONSTRUCTION

1. Aluminium conductor
2. PVC compound insulation
3. PVC compound belt insulation
4. PVC compound outer sheath

Note: Conductor twisting is not illustrated