



## АВВГ 3x50-6 ГОСТ 16442-80, ТУ У 31.3-00214534-048:2007

Power cables with aluminium conductors, with PVC-compound insulation, with PVC-compound outer sheath

Cables are used for laying:

- *single laying*
- *in premises, dry ducts and tunnels, in corrosive environment*

Fire safety code in accordance with ДСТУ 4809:2007: ПБ100000000

Products of this mark meet the requirements:

- *single wire cable flame retardance*

### TECHNICAL SPECIFICATIONS

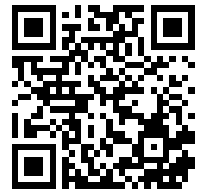
Rated voltage	kV	6
Number and rated area of conductors	mm <sup>2</sup>	3 x 50
Phase insulation thickness	mm	3.4
Permissible continuous current rating (AC of industrial frequency) *		
• <i>by aerial laying</i>	A	126
• <i>by burial</i>	A	143
Maximum permissible conductor temperature		
• <i>Continuous</i>	°C	+70
• <i>in emergency operation</i>	°C	+90
• <i>at short circuit</i>	°C	+160
Operating temperature range	°C	-50 ... +50
Minimum bending radius by laying	mm	337.5
Rated outer diameter of the cable (for reference) **	mm	45
Cable weight (approximate)	kg/km	2300
Rated factory cable length and gross weight of the delivery on the drums ***	m, t	# 16a: 480 • 1.4 # 18: 550 • 1.7 # 20: 870 • 2.6

Notes:

When ordering it is necessary to agree the factory length of the product with the manufacturer

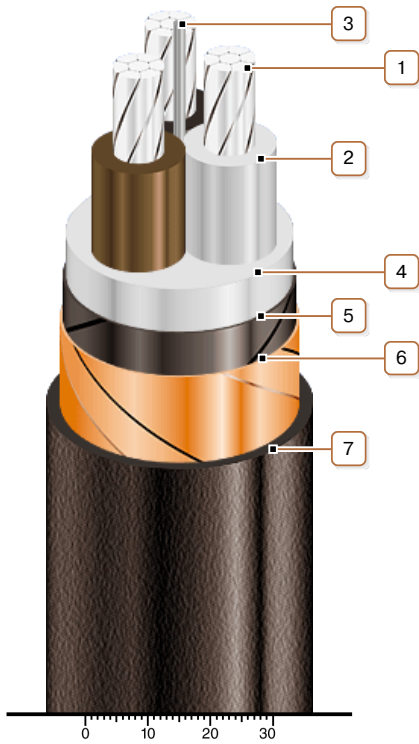
\* Long permissible current loads are calculated for the following conditions: air temperature plus 25 °C, soil temperature plus 15 °C, thermal resistivity of soil 1.2 °K·m/W, laying depth in the soil 0.7 m

\*\* The external diameter may differ from the rated up to ± 10 %



## АВВГ 3х50-6 ГОСТ 16442-80, ТУ У 31.3-00214534-048:2007

Power cables with aluminium conductors, with PVC-compound insulation, with PVC-compound outer sheath



### CONSTRUCTION

1. Aluminium multiwire compacted conductor
2. PVC compound insulation
3. PVC compound bundle
4. PVC compound belt insulation
5. Lapping layer of semiconductive paper
6. Copper screen
7. PVC compound outer sheath

Note: Conductor twisting is not illustrated