



ВБШнгд 4x120-1 ТУ У 31.3-00214534-018-2003

Power cables with copper conductors, with low-flammable PVC-compound insulation, galvanized steel-tape armoured, with PVC-compound protection hose

Cables are used for laying:

- in bunches
- in premises, dry ducts and tunnels, in corrosive environment
- in places, where small mechanical impacts on cable are possible, including tensile forces
- in bunches, in crowded places

Fire safety code in accordance with ДСТУ 4809:2007: ПБ123121000

Products of this mark meet the requirements:

- single wire cable flame retardance
- bunched cable flame retardance category A
- toxicity class Tk3 of the combustion products of nonmetallic elements (toxicity index over 120 g/m³)
- class ДТк1 on smoke-forming ability by smouldering of non-metallic elements (coefficient of smoke formation from 50 to 500 m²/kg)
- class ДПк2 on smoke-forming ability by combustion (minimum luminous flux more than 60 %)
- corrosive class Кк1 of combustion products of non-metallic elements (the number of halogen hydrides less than 150 mg/g, pH less than 4.3, specific conductivity more than 10 μS/mm)

TECHNICAL SPECIFICATIONS

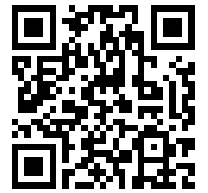
Rated voltage	kV	1
Number and rated area of conductors	mm ²	4 x 120
Phase insulation thickness	mm	1.6
Permissible continuous current rating (AC of industrial frequency) *		
• by aerial laying	A	280
• by burial	A	294
Maximum permissible conductor temperature		
• Continuous	°C	+70
• in emergency operation	°C	+80
• at short circuit	°C	+130
Operating temperature range	°C	-50 ... +50
Minimum bending radius by laying	mm	337.5
Rated outer diameter of the cable (for reference) **	mm	45
Cable weight (approximate)	kg/km	6040
Rated factory cable length and gross weight of the delivery on the drums ***	m, t	# 16a: 480 • 3.2 # 18: 550 • 3.8 # 20: 870 • 5.9

Notes:

When ordering it is necessary to agree the factory length of the product with the manufacturer

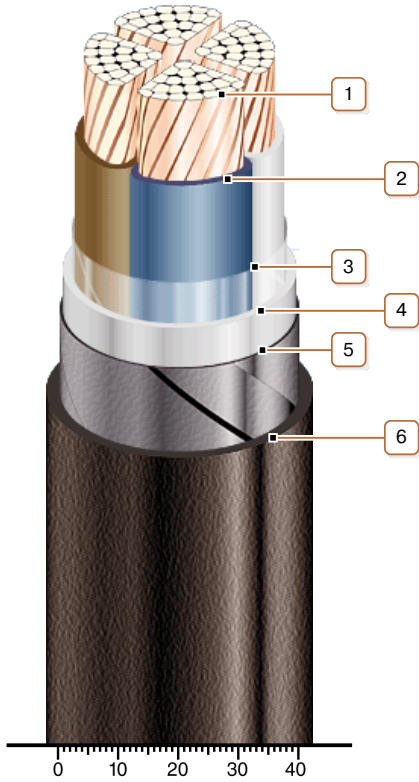
* Long permissible current loads are calculated during operation in four-wire networks with load in all the conductors for the following conditions: air temperature plus 25 °C, soil temperature plus 15 °C, thermal resistivity of soil 1.2 °K·m/W, laying depth in the soil 0.7 m

** The external diameter may differ from the rated up to ± 10 %



ВБШнгд 4x120-1 **ТУ У 31.3-00214534-018-2003**

Power cables with copper conductors, with low-flammable PVC-compound insulation, galvanized steel-tape armoured, with PVC-compound protection hose



CONSTRUCTION

1. Copper multiwire compact conductor
2. Low fire-risk PVC compound insulation
3. PET film winding
4. Low fire-risk PVC-compound inner sheath
5. Double galvanized steel-tape armour
6. Pressed off low fire-risk PVC compound protection hose

Note: Conductor twisting is not illustrated