



## АВБбШнгд 3x70+1x35 (ож)-1 ТУ У 31.3-00214534-018-2003

Power cables with aluminium conductors, with low-flammable PVC-compound insulation, galvanized steel-tape armoured, with PVC-compound protection hose

Cables are used for laying:

- in bunches
- in premises, dry ducts and tunnels, in corrosive environment
- in places, where small mechanical impacts on cable are possible, including tensile forces
- in bunches, in crowded places

Manufacturing of cable with multiwire conductors (main and additional one) is possible

Fire safety code in accordance with ДСТУ 4809:2007: ПБ123121000

Products of this mark meet the requirements:

- single wire cable flame retardance
- bunched cable flame retardance category A
- toxicity class Tk3 of the combustion products of nonmetallic elements (toxicity index over 120 g/m<sup>3</sup>)
- class ДТк1 on smoke-forming ability by smouldering of non-metallic elements (coefficient of smoke formation from 50 to 500 m<sup>2</sup>/kg)
- class ДПк2 on smoke-forming ability by combustion (minimum luminous flux more than 60 %)
- corrosive class Kk1 of combustion products of non-metallic elements (the number of halogen hydrides less than 150 mg/g, pH less than 4.3, specific conductivity more than 10 μS/mm)

### TECHNICAL SPECIFICATIONS

|  |                 |                                     |
|--|-----------------|-------------------------------------|
| Rated voltage  | kV              | 1                                   |
| Number and rated area of conductors                                      | mm <sup>2</sup> | 3 x 70 + 1 x 35                     |
| Phase insulation thickness   | mm              | 1.4                                 |
| Permissible continuous current rating (AC of industrial frequency) *     |                 |                                     |
| • by aerial laying   | A               | 161                                 |
| • by burial  | A               | 178                                 |
| Maximum permissible conductor temperature                                |                 |                                     |
| • Continuous   | °C              | +70                                 |
| • in emergency operation   | °C              | +80                                 |
| • at short circuit   | °C              | +130                                |
| Operating temperature range  | °C              | -50 ... +50                         |
| Minimum bending radius by laying   | mm              | 277.5                               |
| Rated outer diameter of the cable (for reference) **                     | mm              | 37                                  |
| Cable weight (approximate)   | kg/km           | 1960                                |
| Rated factory cable length and gross weight of the delivery on the drums | m, t            | # 16a: 700 • 1.6<br># 18: 800 • 2.0 |

Notes:

When ordering it is necessary to agree the factory length of the product with the manufacturer

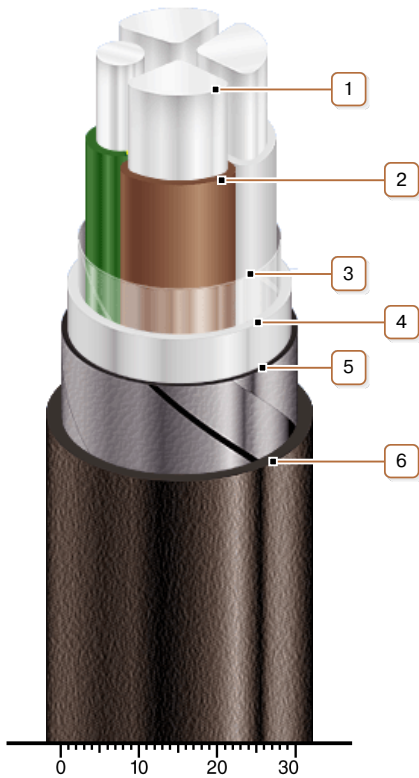
\* Long permissible current loads are calculated for the following conditions: air temperature plus 25 °C, soil temperature plus 15 °C, thermal resistivity of soil 1.2 °K·m/W, laying depth in the soil 0.7 m

\*\* The external diameter may differ from the rated up to ± 10 %



**АВБбШнгд 3x70+1x35 (ож)-1**  
**ТУ У 31.3-00214534-018-2003**

Power cables with aluminium conductors, with low-flammable PVC-compound insulation, galvanized steel-tape armoured, with PVC-compound protection hose



### CONSTRUCTION

1. Aluminium conductor
2. Low fire-risk PVC compound insulation
3. PET film winding
4. Low fire-risk PVC-compound inner sheath
5. Double galvanized steel-tape armour
6. Pressed off low fire-risk PVC compound protection hose

Note: Conductor twisting is not illustrated