



## ВБШнг 3x70-1 ТУ У 31.3-00214534-018-2003

Power cables with copper conductors, with PVC-compound insulation, galvanized steel-tape armoured, with low-flammable PVC-compound protection hose

Cables are used for laying:

- *in bunches*
- *in premises, dry ducts and tunnels, in corrosive environment*
- *in places, where small mechanical impacts on cable are possible, including tensile forces*

Manufacturing of cable with PVC compound belt insulation is possible

Fire safety code in accordance with ДСТУ 4809:2007: ПБ120000000

Products of this mark meet the requirements:

- *single wire cable flame retardance*
- *bunched cable flame retardance category A*

### TECHNICAL SPECIFICATIONS

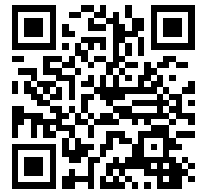
|  |                 |   |
|--|-----------------|---|
| Rated voltage  | kV              | 1   |
| Number and rated area of conductors  | mm <sup>2</sup> | 3 x 70  |
| Phase insulation thickness   | mm              | 1.4   |
| Permissible continuous current rating (AC of industrial frequency) *         |                 |   |
| • <i>by aerial laying</i>  | A               | 211   |
| • <i>by burial</i>   | A               | 231   |
| Maximum permissible conductor temperature                                    |                 |   |
| • <i>Continuous</i>  | °C              | +70   |
| • <i>in emergency operation</i>  | °C              | +90   |
| • <i>at short circuit</i>  | °C              | +160  |
| Operating temperature range  | °C              | -50 ... +50   |
| Minimum bending radius by laying   | mm              | 255   |
| Rated outer diameter of the cable (for reference) **                         | mm              | 34  |
| Cable weight (approximate)   | kg/km           | 2710  |
| Rated factory cable length and gross weight of the delivery on the drums *** | m, t            | # 14: 540 • 1.6<br># 16a: 870 • 2.6<br># 18: 1000 • 3.2 |

Notes:

When ordering it is necessary to agree the factory length of the product with the manufacturer

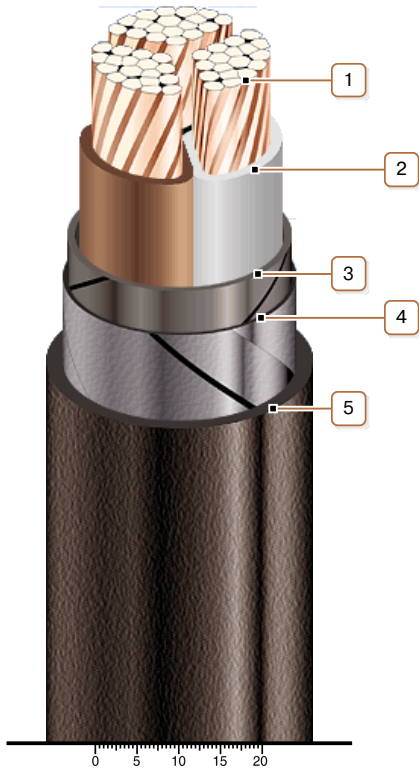
\* Long permissible current loads are calculated for the following conditions: air temperature plus 25 °C, soil temperature plus 15 °C, thermal resistivity of soil 1.2 °K·m/W, laying depth in the soil 0.7 m

\*\* The external diameter may differ from the rated up to ± 10 %



**ВБШнг 3x70-1**  
**ТУ У 31.3-00214534-018-2003**

Power cables with copper conductors, with PVC-compound insulation, galvanized steel-tape armoured, with low-flammable PVC-compound protection hose



**CONSTRUCTION**

1. Copper multiwire compact conductor
2. PVC compound insulation
3. Tape core wrapping
4. Double galvanized steel-tape armour
5. Pressed off low-flammable PVC compound protection hose

*Note: Conductor twisting is not illustrated*