



ВБШнг 1х240-1 ТУ У 31.3-00214534-018-2003

Power cables with copper conductors, with PVC-compound insulation, galvanized steel-tape armoured, with low-flammable PVC-compound protection hose

Cables are used for laying:

- *in bunches*
- *in premises, dry ducts and tunnels, in corrosive environment*
- *in places, where small mechanical impacts on cable are possible, including tensile forces*

Manufacturing of cable with PVC compound belt insulation is possible

Fire safety code in accordance with ДСТУ 4809:2007: ПБ120000000

Products of this mark meet the requirements:

- *single wire cable flame retardance*
- *bunched cable flame retardance category A*

TECHNICAL SPECIFICATIONS

Rated voltage	kV	1
Number and rated area of conductors	mm ²	1 x 240
Phase insulation thickness	mm	2.2
Permissible continuous current rating (AC of industrial frequency) *		
• <i>by aerial laying</i>	A	512
• <i>by burial</i>	A	477
Permissible continuous current rating (DC) *		
• <i>by aerial laying</i>	A	655
• <i>by burial</i>	A	743
Maximum permissible conductor temperature		
• <i>Continuous</i>	°C	+70
• <i>in emergency operation</i>	°C	+90
• <i>at short circuit</i>	°C	+160
Operating temperature range	°C	-50 ... +50
Minimum bending radius by laying	mm	320
Rated outer diameter of the cable (for reference) **	mm	32
Cable weight (approximate)	kg/km	2900
Rated factory cable length and gross weight of the delivery on the drums ***	m, t	# 14: 610 • 2.0 # 16a: 990 • 3.1 # 18: 1130 • 3.7

Notes:

When ordering it is necessary to agree the factory length of the product with the manufacturer

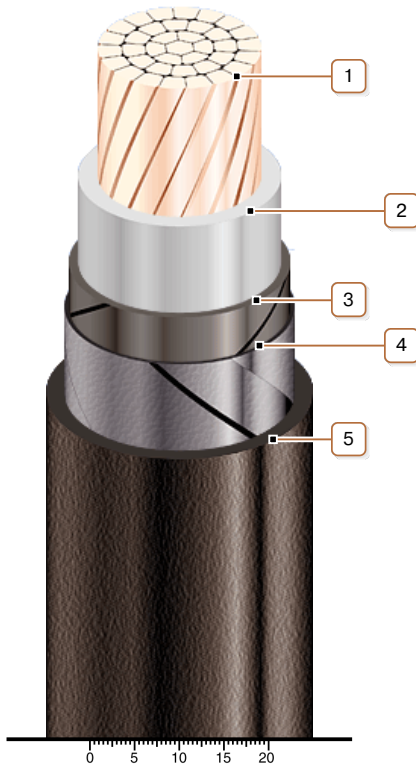
* *Long permissible current loads are calculated for the following conditions: air temperature plus 25 °C, soil temperature plus 15 °C, thermal resistivity of soil 1.2 °K·m/W, laying depth in the soil 0.7 m*

** *The external diameter may differ from the rated up to ± 10 %*



ВБШнг 1х240-1 **ТУ У 31.3-00214534-018-2003**

Power cables with copper conductors, with PVC-compound insulation, galvanized steel-tape armoured, with low-flammable PVC-compound protection hose



CONSTRUCTION

- 1. Copper multiwire compact conductor*
- 2. PVC compound insulation*
- 3. Tape core wrapping*
- 4. Double galvanized steel-tape armour*
- 5. Pressed off low-flammable PVC compound protection hose*