



АВБШнг 2х50 (ож)-1 ТУ У 31.3-00214534-018-2003

Power cables with aluminium conductors, with PVC-compound insulation, galvanized steel-tape armoured, with low-flammable PVC-compound protection hose

Cables are used for laying:

- *in bunches*
- *in premises, dry ducts and tunnels, in corrosive environment*
- *in places, where small mechanical impacts on cable are possible, including tensile forces*

Manufacturing of cable with multiwire conductors is possible

Manufacturing of cable with tape belt insulation is possible

Fire safety code in accordance with ДСТУ 4809:2007: ПБ120000000

Products of this mark meet the requirements:

- *single wire cable flame retardance*
- *bunched cable flame retardance category A*

TECHNICAL SPECIFICATIONS

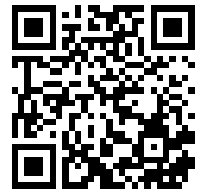
| | | |
|--|-----------------|-----------------|
| Rated voltage | kV | 1 |
| Number and rated area of conductors | mm ² | 2 x 50 |
| Phase insulation thickness | mm | 1.4 |
| Permissible continuous current rating (AC of industrial frequency) * | | |
| • <i>by aerial laying</i> | A | 126 |
| • <i>by burial</i> | A | 143 |
| Maximum permissible conductor temperature | | |
| • <i>Continuous</i> | °C | +70 |
| • <i>in emergency operation</i> | °C | +90 |
| • <i>at short circuit</i> | °C | +160 |
| Operating temperature range | °C | -50 ... +50 |
| Minimum bending radius by laying | mm | 217.5 |
| Rated outer diameter of the cable (for reference) ** | mm | 29 |
| Cable weight (approximate) | kg/km | 910 |
| Rated factory cable length and gross weight of the delivery on the drums *** | m, t | # 14: 700 • 0.8 |

Notes:

When ordering it is necessary to agree the factory length of the product with the manufacturer

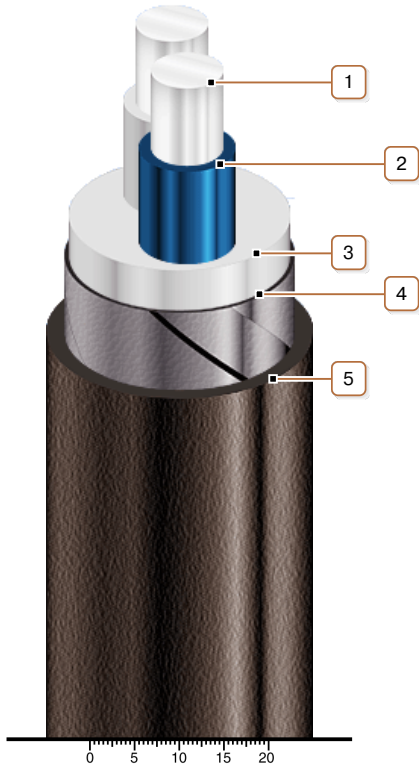
** Long permissible current loads are calculated for the following conditions: air temperature plus 25 °C, soil temperature plus 15 °C, thermal resistivity of soil 1.2 °K·m/W, laying depth in the soil 0.7 m*

*** The external diameter may differ from the rated up to ± 10 %*



АВБШнг 2х50 (ож)-1 ТУ У 31.3-00214534-018-2003

Power cables with aluminium conductors, with PVC-compound insulation, galvanized steel-tape armoured, with low-flammable PVC-compound protection hose



CONSTRUCTION

1. Aluminium conductor
2. PVC compound insulation
3. PVC compound belt insulation
4. Double galvanized steel-tape armour
5. Pressed off low-flammable PVC compound protection hose

Note: Conductor twisting is not illustrated