



## ВБ6ШВ 3x95-1 ГОСТ 16442-80, ТУ У 31.3-00214534-048:2007

Power cables with copper conductors, with PVC-compound insulation, galvanized steel-tape armoured, with PVC-compound protection hose

Cables are used for laying:

- *single laying*
- *in premises, dry ducts and tunnels, in corrosive environment*
- *in places, where small mechanical impacts on cable are possible, including tensile forces*

Manufacturing of non-galvanized armoured cable, covered with a layer of bitumen and PET film is possible  
 Manufacturing of cable with PVC compound belt insulation is possible

Fire safety code in accordance with ДСТУ 4809:2007: ПБ100000000

Products of this mark meet the requirements:

- *single wire cable flame retardance*

### TECHNICAL SPECIFICATIONS

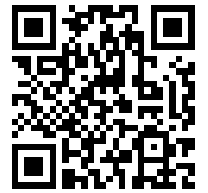
|  |                 |                                     |
|--|-----------------|-------------------------------------|
| Rated voltage  | kV              | 1                                   |
| Number and rated area of conductors  | mm <sup>2</sup> | 3 x 95                              |
| Phase insulation thickness   | mm              | 1.6                                 |
| Permissible continuous current rating (AC of industrial frequency) *         |                 |                                     |
| • <i>by aerial laying</i>  | A               | 261                                 |
| • <i>by burial</i>   | A               | 279                                 |
| Maximum permissible conductor temperature                                    |                 |                                     |
| • <i>Continuous</i>  | °C              | +70                                 |
| • <i>in emergency operation</i>  | °C              | +90                                 |
| • <i>at short circuit</i>  | °C              | +160                                |
| Operating temperature range  | °C              | -50 ... +50                         |
| Minimum bending radius by laying   | mm              | 270                                 |
| Rated outer diameter of the cable (for reference) **                         | mm              | 36                                  |
| Cable weight (approximate)   | kg/km           | 3540                                |
| Rated factory cable length and gross weight of the delivery on the drums *** | m, t            | # 16a: 780 • 3.0<br># 18: 890 • 3.6 |

Notes:

When ordering it is necessary to agree the factory length of the product with the manufacturer

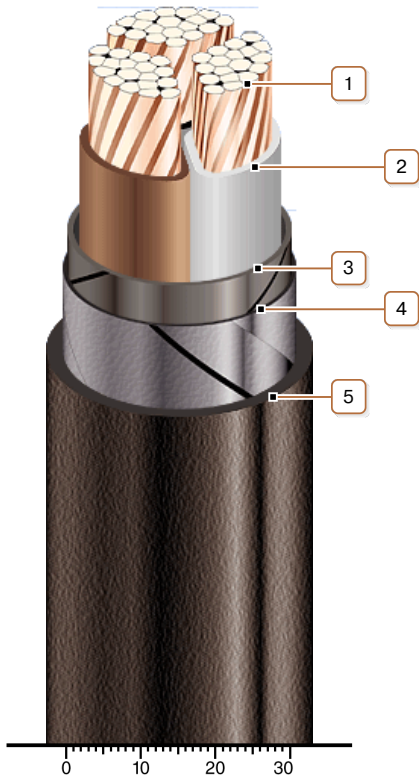
\* Long permissible current loads are calculated for the following conditions: air temperature plus 25 °C, soil temperature plus 15 °C, thermal resistivity of soil 1.2 °K·m/W, laying depth in the soil 0.7 m

\*\* The external diameter may differ from the rated up to ± 10 %



**ВБ6ШВ 3x95-1**  
**ГОСТ 16442-80, ТУ У 31.3-00214534-048:2007**

Power cables with copper conductors, with PVC-compound insulation, galvanized steel-tape armoured, with PVC-compound protection hose



**CONSTRUCTION**

1. Copper multiwire compact conductor
2. PVC compound insulation
3. Tape core wrapping
4. Double galvanized steel-tape armour
5. Pressed PVC compound protection hose

*Note: Conductor twisting is not illustrated*