



## АВБШВ 3x185 (ож)-1 ГОСТ 16442-80, ТУ У 31.3-00214534-048:2007

Power cables with aluminium conductors, with PVC-compound insulation, galvanized steel-tape armoured, with low-flammable PVC-compound protection hose

Cables are used for laying:

- *single laying*
- *in premises, dry ducts and tunnels, in corrosive environment*
- *in places, where small mechanical impacts on cable are possible, including tensile forces*

Manufacturing of cable with multiwire conductors is possible

Manufacturing of non-galvanized armoured cable, covered with a layer of bitumen and PET film is possible

Manufacturing of cable with PVC compound belt insulation is possible

Fire safety code in accordance with ДСТУ 4809:2007: ПБ100000000

Products of this mark meet the requirements:

- *single wire cable flame retardance*

### TECHNICAL SPECIFICATIONS

Rated voltage	kV	1
Number and rated area of conductors	mm <sup>2</sup>	3 x 185
Phase insulation thickness	mm	2
Permissible continuous current rating (AC of industrial frequency) *		
• <i>by aerial laying</i>	A	302
• <i>by burial</i>	A	312
Maximum permissible conductor temperature		
• <i>Continuous</i>	°C	+70
• <i>in emergency operation</i>	°C	+90
• <i>at short circuit</i>	°C	+160
Operating temperature range	°C	-50 ... +50
Minimum bending radius by laying	mm	330
Rated outer diameter of the cable (for reference) **	mm	44
Cable weight (approximate)	kg/km	2820
Rated factory cable length and gross weight of the delivery on the drums	m, t	# 16a: 520 • 1.7 # 18: 600 • 2.2 # 20: 960 • 3.3

Notes:

*When ordering it is necessary to agree the factory length of the product with the manufacturer*

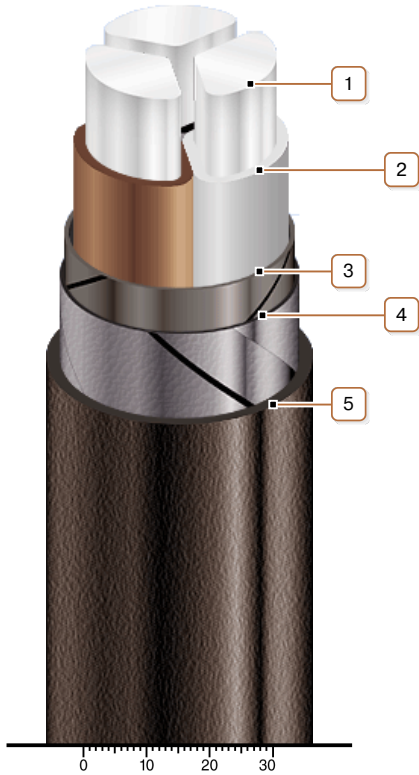
*\* Long permissible current loads are calculated for the following conditions: air temperature plus 25 °C, soil temperature plus 15 °C, thermal resistivity of soil 1.2 °K·m/W, laying depth in the soil 0.7 m*

*\*\* The external diameter may differ from the rated up to ± 10 %*



**АВБШВ 3х185 (ож)-1**  
**ГОСТ 16442-80, ТУ У 31.3-00214534-048:2007**

Power cables with aluminium conductors, with PVC-compound insulation, galvanized steel-tape armoured, with low-flammable PVC-compound protection hose



**CONSTRUCTION**

1. Aluminium conductor
2. PVC compound insulation
3. Tape core wrapping
4. Double galvanized steel-tape armour
5. Pressed PVC compound protection hose

*Note: Conductor twisting is not illustrated*