



СП2л 3x120-1 ТУ У 27.3-00214534-091:2017

Power cables with copper conductors, with impregnated paper insulation, lead-sheathed, steel-wire armoured

Cables are used for laying:

- *in soil (trenches) with high corrosiveness, as well as with vagabond currents*
- *with a risk of mechanical damage and tensile forces in operation*

TECHNICAL SPECIFICATIONS

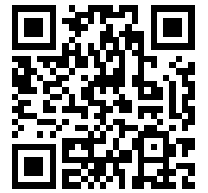
| | | |
|--|-----------------|-------------------------------------|
| Rated voltage | kV | 1 |
| Number and rated area of conductors | mm ² | 3 x 120 |
| Insulation thickness between conductors | mm | 1.7 |
| Insulation thickness of conductor-sheath | mm | 1.45 |
| Sheath thickness | mm | 1.36 |
| Permissible continuous current rating * | | |
| • <i>by aerial laying</i> | A | 348 |
| • <i>by burial</i> | A | 325 |
| Operating temperature range | °C | -50 ... +50 |
| Minimum bending radius by laying | mm | 720 |
| Level difference along the laying rout, not more than | m | 20 |
| Metal sheath outer diameter (for reference only) | mm | 31 |
| Rated outer diameter of the cable (for reference) ** | mm | 48 |
| Cable weight (approximate) | kg/km | 7330 |
| Rated factory cable length and gross weight of the delivery on the drums *** | m, t | # 16a: 440 • 3.5 # 18: 500 • 4.1 |

Notes:

When ordering it is necessary to agree the factory length of the product with the manufacturer

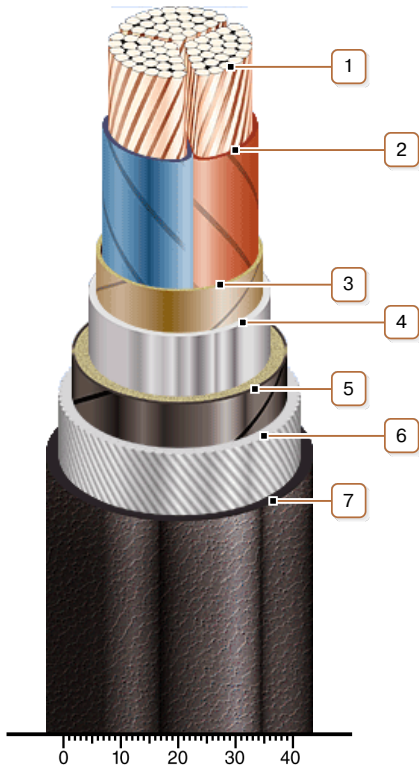
** Long permissible current loads are calculated for the following conditions: air temperature plus 25 °C, soil temperature plus 15 °C, thermal resistivity of soil 1.2 °K·m/W, laying depth in the soil 0.7 m*

*** The external diameter may differ from the rated up to ± 10 %*



СП2л 3x120-1 ТУ У 27.3-00214534-091:2017

Power cables with copper conductors, with impregnated paper insulation, lead-sheathed, steel-wire armoured



CONSTRUCTION

1. Copper multiwire compact conductor
2. Impregnated paper insulation
3. Belt insulation
4. Lead sheath
5. Double-layer plastic-tape bedding
6. Round galvanized steel-wire armour
7. Outer covering

Note: Conductor twisting is not illustrated