



## СП2л 3x50(ож)-1 ТУ У 27.3-00214534-091:2017

Power cables with copper conductors, with impregnated paper insulation, lead-sheathed, steel-wire armoured

Cables are used for laying:

- *in soil (trenches) with high corrosiveness, as well as with vagabond currents*
- *with a risk of mechanical damage and tensile forces in operation*

### TECHNICAL SPECIFICATIONS

|  |                 |                  |
|--|-----------------|------------------|
| Rated voltage  | kV              | 1                |
| Number and rated area of conductors                                      | mm <sup>2</sup> | 3 x 50           |
| Insulation thickness between conductors                                  | mm              | 1.5              |
| Insulation thickness of conductor-sheath                                 | mm              | 1.25             |
| Sheath thickness   | mm              | 1.15             |
| Permissible continuous current rating *                                  |                 |                  |
| • <i>by aerial laying</i>  | A               | 195              |
| • <i>by burial</i>   | A               | 200              |
| Operating temperature range  | °C              | -50 ... +50      |
| Minimum bending radius by laying   | mm              | 540              |
| Level difference along the laying rout, not more than                    | m               | 20               |
| Metal sheath outer diameter (for reference only)                         | mm              | 20               |
| Rated outer diameter of the cable (for reference) **                     | mm              | 36               |
| Cable weight (approximate)   | kg/km           | 3850             |
| Rated factory cable length and gross weight of the delivery on the drums | m, t            | # 16a: 780 • 3.3 |

Notes:

*When ordering it is necessary to agree the factory length of the product with the manufacturer*

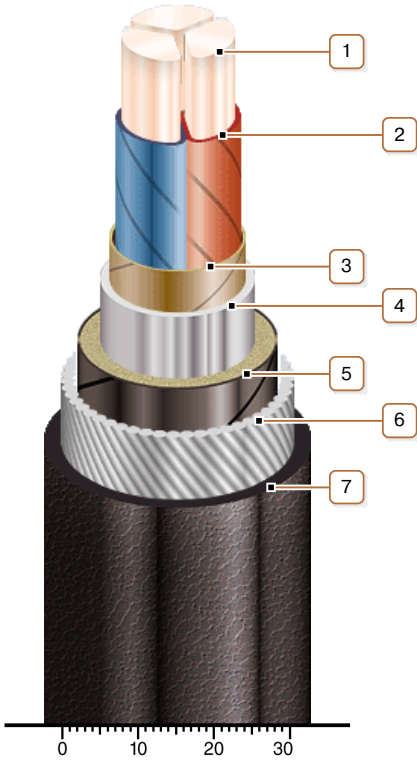
*\* Long permissible current loads are calculated for the following conditions: air temperature plus 25 °C, soil temperature plus 15 °C, thermal resistivity of soil 1.2 °K·m/W, laying depth in the soil 0.7 m*

*\*\* The external diameter may differ from the rated up to ± 10 %*



## СП2л 3x50(ож)-1 ТУ У 27.3-00214534-091:2017

Power cables with copper conductors, with impregnated paper insulation, lead-sheathed, steel-wire armoured



### CONSTRUCTION

1. Copper conductor
2. Impregnated paper insulation
3. Belt insulation
4. Lead sheath
5. Double-layer plastic-tape bedding
6. Round galvanized steel-wire armour
7. Outer covering

Note: Conductor twisting is not illustrated