



ЦСПл 3x185-10 ТУ У 27.3-00214534-091:2017

Power cables with copper conductors, with non-draining impregnated paper insulation, lead-sheathed, steel-wire armoured

Cables are used for laying:

- *without level difference limitation*
- *in soil (trenches) with medium corrosiveness, as well as with vagabond currents*
- *with a risk of mechanical damage and tensile forces in operation*

TECHNICAL SPECIFICATIONS

| | | |
|--|-----------------|-----------------|
| Rated voltage | kV | 10 |
| Number and rated area of conductors | mm ² | 3 x 185 |
| Insulation thickness between conductors | mm | 5.5 |
| Insulation thickness of conductor-sheath | mm | 4 |
| Sheath thickness | mm | 1.66 |
| Permissible continuous current rating * | | |
| • <i>by aerial laying</i> | A | 442 |
| • <i>by burial</i> | A | 352 |
| Operating temperature range | °C | -50 ... +50 |
| Minimum bending radius by laying | mm | 975 |
| Metal sheath outer diameter (for reference only) | mm | 49 |
| Rated outer diameter of the cable (for reference) ** | mm | 65 |
| Cable weight (approximate) | kg/km | 12730 |
| Rated factory cable length and gross weight of the delivery on the drums *** | m, t | # 18: 270 • 3.9 |

Notes:

When ordering it is necessary to agree the factory length of the product with the manufacturer

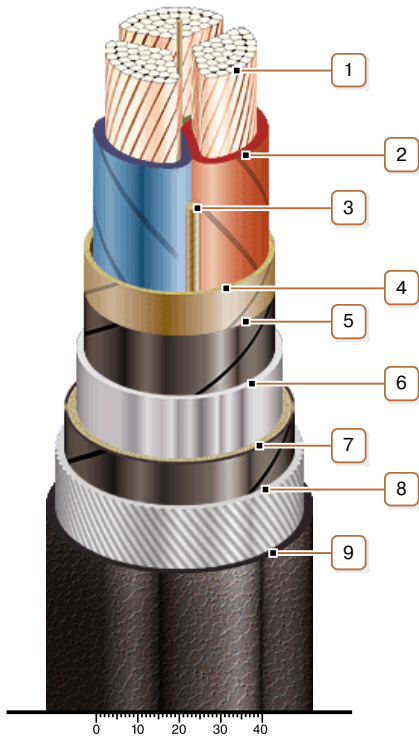
** Long permissible current loads are calculated for the following conditions: air temperature plus 25 °C, soil temperature plus 15 °C, thermal resistivity of soil 1.2 °K·m/W, laying depth in the soil 0.7 m*

*** The external diameter may differ from the rated up to ± 10 %*



ЦСПл 3x185-10
ТУ У 27.3-00214534-091:2017

Power cables with copper conductors, with non-draining impregnated paper insulation, lead-sheathed, steel-wire armoured



CONSTRUCTION

1. Copper multiwire compact conductor
2. Impregnated paper insulation
3. Cable paper bundle
4. Belt insulation
5. Conducting paper screen
6. Lead sheath
7. Single-layer plastic-tape bedding
8. Round galvanized steel-wire armour
9. Outer covering

Note: Conductor twisting is not illustrated