



ЦСПл 3x150-6 TY Y 27.3-00214534-091:2017

Power cables with copper conductors, with non-draining impregnated paper insulation, lead-sheathed, steel-wire armoured

Cables are used for laying:

- *without level difference limitation*
- *in soil (trenches) with medium corrosiveness, as well as with vagabond currents*
- *with a risk of mechanical damage and tensile forces in operation*

TECHNICAL SPECIFICATIONS

Rated voltage	kV	6
Number and rated area of conductors	mm ²	3 x 150
Insulation thickness between conductors	mm	4
Insulation thickness of conductor-sheath	mm	2.95
Sheath thickness	mm	1.52
Permissible continuous current rating *		
• <i>by aerial laying</i>	A	392
• <i>by burial</i>	A	358
Operating temperature range	°C	-50 ... +50
Minimum bending radius by laying	mm	855
Metal sheath outer diameter (for reference only)	mm	39
Rated outer diameter of the cable (for reference) **	mm	57
Cable weight (approximate)	kg/km	9850
Rated factory cable length and gross weight of the delivery on the drums ***	m, t	# 16a: 300 • 3.2 # 18: 340 • 3.8

Notes:

When ordering it is necessary to agree the factory length of the product with the manufacturer

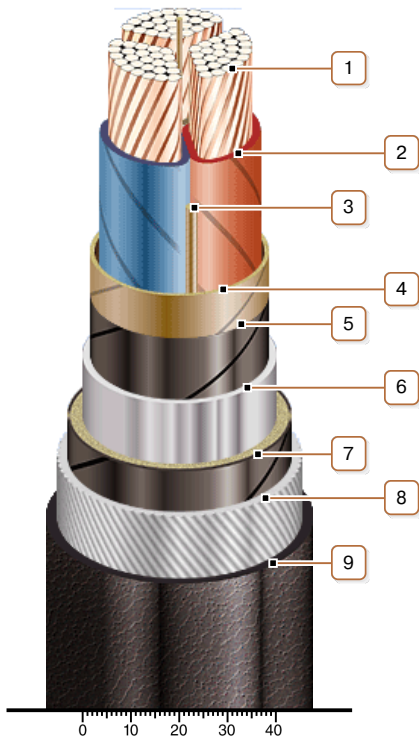
** Long permissible current loads are calculated for the following conditions: air temperature plus 25 °C, soil temperature plus 15 °C, thermal resistivity of soil 1.2 °K·m/W, laying depth in the soil 0.7 m*

*** The external diameter may differ from the rated up to ± 10 %*



ЦСПл 3x150-6 ТУ У 27.3-00214534-091:2017

Power cables with copper conductors, with non-draining impregnated paper insulation, lead-sheathed, steel-wire armoured



CONSTRUCTION

1. Copper multiwire compact conductor
2. Impregnated paper insulation
3. Cable paper bundle
4. Belt insulation
5. Conducting paper screen
6. Lead sheath
7. Single-layer plastic-tape bedding
8. Round galvanized steel-wire armour
9. Outer covering

Note: Conductor twisting is not illustrated