



## СБ 3x120-10 TY Y 27.3-00214534-091:2017

Power cables with copper conductors, with impregnated paper insulation, lead-sheathed, steel-tape armoured

Cables are used for laying:

- in soil (trenches) with medium corrosiveness without vagabond currents
- in soil (trenches) with low corrosiveness, as well as with vagabond currents
- in mines, non-hazardous as for gas and dust
- with a risk of mechanical damage and no tensile forces in operation

### TECHNICAL SPECIFICATIONS

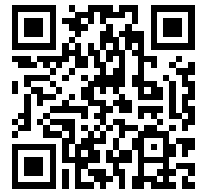
|  |                 |                                     |
|--|-----------------|-------------------------------------|
| Rated voltage  | kV              | 10                                  |
| Number and rated area of conductors                                      | mm <sup>2</sup> | 3 x 120                             |
| Insulation thickness between conductors                                  | mm              | 5.5                                 |
| Insulation thickness of conductor-sheath                                 | mm              | 4                                   |
| Sheath thickness   | mm              | 1.56                                |
| Permissible continuous current rating *                                  |                 |                                     |
| • by aerial laying   | A               | 305                                 |
| • by burial  | A               | 284                                 |
| Operating temperature range  | °C              | -50 ... +50                         |
| Minimum bending radius by laying   | mm              | 795                                 |
| Level difference along the laying rout, not more than                    | m               | 15                                  |
| Metal sheath outer diameter (for reference only)                         | mm              | 41                                  |
| Rated outer diameter of the cable (for reference) **                     | mm              | 53                                  |
| Cable weight (approximate)   | kg/km           | 7750                                |
| Rated factory cable length and gross weight of the delivery on the drums | m, t            | # 16a: 350 • 3.0<br># 18: 400 • 3.6 |

Notes:

When ordering it is necessary to agree the factory length of the product with the manufacturer

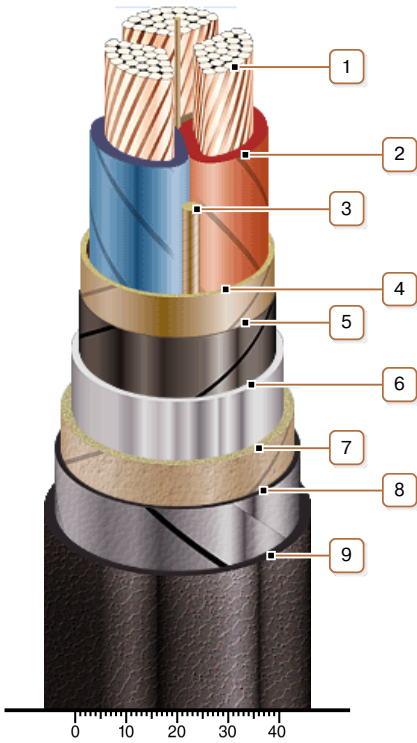
\* Long permissible current loads are calculated for the following conditions: air temperature plus 25 °C, soil temperature plus 15 °C, thermal resistivity of soil 1.2 °K·m/W, laying depth in the soil 0.7 m

\*\* The external diameter may differ from the rated up to ± 10 %



**СБ 3x120-10**  
**TY Y 27.3-00214534-091:2017**

Power cables with copper conductors, with impregnated paper insulation, lead-sheathed, steel-tape armoured



**CONSTRUCTION**

1. Copper multiwire compact conductor
2. Impregnated paper insulation
3. Cable paper bundle
4. Belt insulation
5. Conducting paper screen
6. Lead sheath
7. Bedding
8. Double steel-tape armour
9. Outer covering

Note: Conductor twisting is not illustrated